

Service
Service
Service



Service Manual

TABLE OF CONTENTS

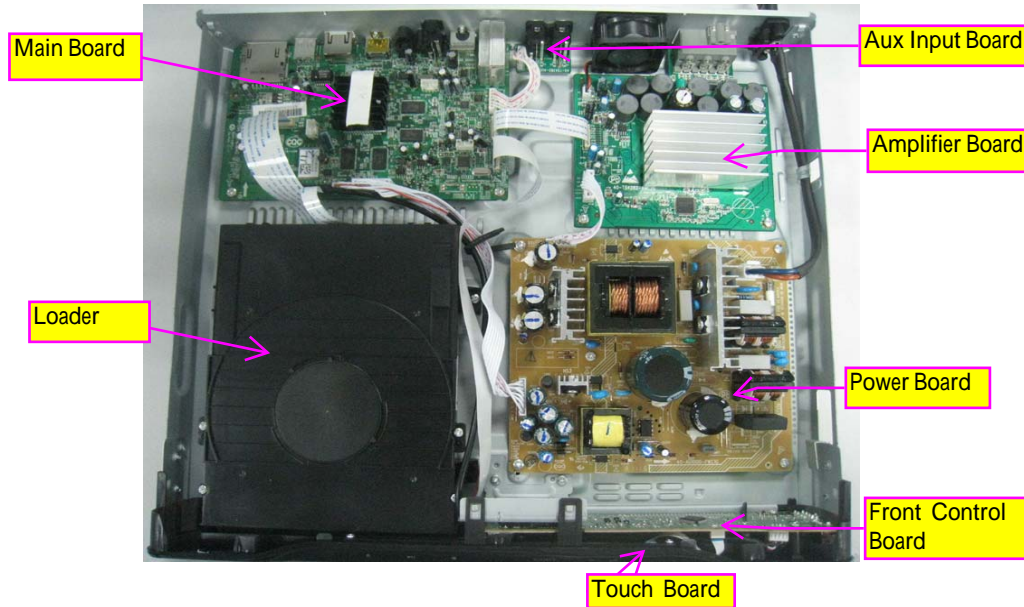
Page

- . Location of PCB BdsyVersion Variation and Repair Scenario Matrix.....1-2
- . Technical Specifications.....1-3
- . Safety Instruction, Warning & Notes.....1-4
- . DFU Instruction.....2-1
- . Mechanical and Dismantling Instructions.....3-1
- . Software Upgrades4-1
- . Trouble Shooting Chart.....5-1
- . Wiring Diagram.....6-1
- . Electrical Diagrams and Print-layouts.....7-1
- . Set Mechanical Exploded view & Part list.....8-1
- . Revision List.....9-1

©Copyright 2011 Philips Consumer Electronics B.V. Eindhoven, The Netherlands
 All rights reserved. No part of this publication may be reproduced, stored in aretrieval system or transmitted, in any form or by any means, electronic, mechanical, photocopying, or otherwise without the prior permission of Philips.

**CLASS 1
LASER PRODUCT**

PCB BOARD LOCATION:



Version Variation

Type/Versions Features	HTS3271
	/12
Output Power- 400W	X
Voltage(220~240V)	X
MP3 LINK	X

Repair Scenario Matrix

Type/Versions Board in used	HTS3271
	/12
Main Board	C
Front Control Board	C
Amplifier Board	C
Power Board	C
Touch Board	B
Aux Input Board	B

*Bd:Board Level Replacement

*C:Component Level Repair

Specification for HTS3271/12 :

Product Specifications

Note

- Specifications and design are subject to change without notice.

Region codes

The type plate on the back or bottom of the home theater shows which regions it supports.

Country	DVD	BD
Europe, United Kingdom		
Asia Pacific, Taiwan, Korea		
Latin America		
Australia, New Zealand		
Russia, India		
China		

Media formats

- AVCHD, BD, BD-R/ BD-RE, BD-Video, DVD-Video, DVD+R/+RW, DVD-R/-RW, DVD+R/-R DL, CD-R/CD-RW, Audio CD, Video CD/SVCD, Picture files, MP3 media, WMA media, DivX Plus HD media, USB storage device

File formats

- Audio: .aac, .mka, .mp3, .wma, .wav, .mp4, .m4a
- Video:
 - .avi, .divx, .mp4, .mkv, .asf, .wmv, .mpg, .mpeg,
 - .rmvb, .rm (Available only in Asia Pacific and China)
- Picture: .jpg, .jpeg, .gif, .png

Audio formats

Your home theater supports the following audio files.

Extension	Container	Audio codec	Bit rate
.mp3	MP3	MP3	32 kbps ~ 320 kbps
.wma	ASF	WMA	64 kbps ~ 160 kbps
.aac	AAC	AAC, HE-AAC	192 kbps
.wav	WAV	PCM	1.4 Mbps
.m4a	MKV	AAC	192 kbps
.mka	MKA	PCM	27.648 Mbps
.mka	MKA	Dolby Digital	640 kbps
.mka	MKA	DTS core	1.54 Mbps
.mka	MKA	MPEG	912 kbps
.mka	MKA	MP3	32 kbps ~ 320 kbps
.mka	MKA	WMA	64 kbps ~ 160 kbps
.mka	MKA	AAC, HE-AAC	192 kbps

Video formats

If you have a high definition TV, your home theater allows you to play your video files with:

- Resolution: 1920 × 1080 pixels at
- Frame rate: 6 ~ 30 frames per second.

.avi files in AVI container

Audio codec	Video codec	Bit rate
PCM, Dolby Digital, DTS core, MP3, WMA	DivX 3.11, DivX 4.x, DivX 5.x, DivX 6.x	10 Mbps max
	MPEG 1, MPEG 2	20 Mbps (peak 40 Mbps)
	MPEG 4 ASP	10 Mbps max
	H.264/AVC HP@4.1/4.0; MP@3.2/3.1/3.0	20 Mbps (peak 40 Mbps)
	WMV9	20 Mbps

.divx files in AVI container

Audio codec	Video codec	Bit rate
PCM, Dolby Digital, MP3, WMA	DivX 3.11, DivX 4.x, DivX 5.x, DivX 6.x	10 Mbps max
	MPEG 1, MPEG 2	20 Mbps (peak 40 Mbps)
	MPEG 4 ASP	10 Mbps max

.mp4 or .m4v files in MP4 container

Audio codec	Video codec	Bit rate
Dolby Digital, MPEG, MP3, AAC, HE-AAC	MPEG 1, MPEG 2	20 Mbps (peak 40 Mbps)
	MPEG 4 ASP	10 Mbps max
	H.264/AVC HP@4.1/4.0; MP@3.2/3.1/3.0	20 Mbps (peak 40 Mbps)

.mkv files in MKV container

Audio codec	Video codec	Bit rate
PCM, Dolby Digital, DTS core, MPEG, MP3, WMA, AAC, HE-AAC	MPEG 1, MPEG 2	20 Mbps (peak 40 Mbps)
	MPEG 4 ASP	10 Mbps max
	H.264/AVC HP@4.1/4.0; MP@3.2/3.1/3.0	20 Mbps (peak 40 Mbps)
	WMV9	20 Mbps

.asf and .wmv files in ASF container

Audio codec	Video codec	Bit rate
PCM, Dolby Digital, MP3, WMA	MPEG 4 ASP	10 Mbps max
	H.264/AVC HP@4.1/4.0; MP@3.2/3.1/3.0	20 Mbps (peak 40 Mbps)
	WMV9	20 Mbps

.mpg and .mpeg files in PS container

Audio codec	Video codec	Bit rate
PCM, DTS core, MPEG, MP3	MPEG 1, MPEG 2	20 Mbps (peak 40 Mbps)
	MPEG 1, MPEG 2	20 Mbps (peak 40 Mbps)

.rm and .rmvb files in RM container (Available only in Asia Pacific and China)

Audio codec	Video codec	Bit rate
AAC, COOK	RV30, RV40	20 Mbps (peak 40 Mbps)

Amplifier

- Total output power: 400W RMS (30% THD)
- Frequency response: 20 Hz-20 kHz / ± 3 dB
- Signal-to-noise ratio: > 65 dB (CCIR) / (A-weighted)
- Input sensitivity:
 - AUX1, AUX2: 2 V
 - Music iLink: 1 V

Video

- Signal system: PAL / NTSC
- HDMI output: 480i/576i, 480p/576p, 720p, 1080i, 1080p, 1080p24

Audio

- S/PDIF Digital audio input:
 - Coaxial: IEC 60958-3
 - Optical: TOSLINK
- Sampling frequency:
 - MP3: 32 kHz, 44.1 kHz, 48 kHz
 - WMA: 44.1 kHz, 48 kHz
- Constant bit rate:
 - MP3: 32 kbps - 320 kbps
 - WMA: 48 kbps - 192 kbps

Radio

- Tuning range:
 - Europe/Russia/China: FM 87.5-108 MHz (50 kHz)
 - Asia Pacific/Latin America: FM 87.5-108 MHz (50/100 kHz)
- Signal-to-noise ratio: FM 50 dB
- Frequency response: FM 200 Hz-12.5 kHz / ± 6 dB

USB

- Compatibility: Hi-Speed USB (2.0)
- Class support: USB Mass Storage Class (MSC)
- File system: FAT16, FAT32, NTFS
- Maximum memory support: < 160 GB

Main unit

- Power supply:
 - Europe/China/Russia/India: 220-240 V~, 50 Hz
 - Latin America/Asia Pacific: 110-127 V/220-240 V~, 50-60 Hz
- Power consumption: 75 W
- Standby power consumption: ≤ 0.5 W
- Dimensions (WxHxD): 360 x 58 x 315 mm
- Weight: 2.63 kg

Subwoofer

- Output power: 200W RMS (30% THD)
- Impedance: 3 ohm
- Speaker drivers: 165 mm (6.5") woofer
- Dimensions (WxHxD): 123 x 309 x 369 mm
- Weight: 3.84 kg
- Cable length: 3 m

Speakers

- Output power: 2 x 100W RMS (30% THD)
- Speaker impedance: 6 ohm
- Speaker drivers: 1 x 76.2 mm (3") full range woofer
- Dimensions (WxHxD): 95 x 161 x 87 mm
- Weight: 0.55 kg/each
- Cable length: 4 m

Remote control batteries

- 2 x AAA-R03-1.5 V

Laser

- Laser Type (Diode): InGaN/AlGaIn (BD), AlGaInP (DVD/CD)
- Wave length: 405 +7 nm/-7 nm (BD), 655 +10 nm/-10 nm (DVD), 790 +10 nm/-20 nm (CD)
- Output power (Max. ratings): 20 mW (BD), 6 mW (DVD), 7 mW (CD)

Safety instruction, Warning & Notes

Safety instruction

1. General safety

Safety regulations require that during a repair:

- . Connect the unit to the mains via an isolation transformer.
- . Replace safety components indicated by the symbol ▲, only by components identical to the original ones. Any other component substitution (other than original type) may increase risk of fire or electrical shock hazard.

Safety regulations require that after a repair, you must return the unit in its original condition. Pay, in particular, attention to the following points:

- . Route the wires/cables correctly, and fix them with the mounted cable clamps.
- . Check the insulation of the mains lead for external damage.
- . Check the electrical DC resistance between the mains plug and the secondary side:
 - 1) Unplug the mains cord, and connect a wire between the two pins of the mains plug.
 - 2) Set the mains switch the "on" position (keep the mains cord unplug).
 - 3) Measure the resistance value between the mains plug and the front panel, controls, and chassis bottom.
 - 4) Repair or correct unit when the resistance measurement is less than 1M Ω .
 - 5) Verify this, before you return the unit to the customer/user (ref. UL-standard no. 1492).
 - 6) Switch the unit "off", and remove the wire between the two pins of the mains plug.

2.Laser safety

This unit employs a laser. Only qualified service personnel may remove the cover, or attempt to service this device (due to possible eye injury).

Laser device unit

Type	: Semiconductor laser GaAlAs
Wavelength	: 650nm (DVD)
	: 780nm (VCD/CD)
Output power	: 7mW (DVD)
	: 10mW (DVD /CD)

Beam divergence: 60 degree

Note: Use of controls or adjustments or performance of procedure other than those specified herein, may result in hazardous radiation exposure. Avoid direct exposure to beam.

Warning

1. General

. All ICs and many other semiconductors are susceptible to electrostatic discharges (ESD). Careless handling during repair can reduce life drastically. Make sure that, during repair, you are at the same potential as the mass of the set by a wristband with resistance. Keep components and tools at this same potential. Available ESD protection equipment:

- 1) Complete kit ESD3 (small tablemat, wristband, connection box, extension cable and earth cable) 4822 310 10671.
- 2) Wristband tester 4822 344 13999.

. Be careful during measurements in the live voltage section. The primary side of the power supply, including the heat sink, carries live mains voltage when you connect the player to the mains (even when the player is "off!"). It is possible to touch copper tracks and/or components in this unshielded primary area, when you service the player. Service personnel must take precautions to prevent touching this area or components in this area. A "lighting stroke" and a stripe-marked printing on the printed wiring board, indicate the primary side of the power supply.

. Never replace modules, or components, while the unit is "on".

2. Laser

- . The use of optical instruments with this product, will increase eye hazard.
- . Only qualified service personnel may remove the cover or attempt to service this device, due to possible eye injury.
- . Repair handling should take place as much as possible with a disc loaded inside the player.
- . Text below is placed inside the unit, on the laser cover shield:

**CAUTION: VISIBLE AND INVISIBLE LASER
RADIATION WHEN OPEN, AVOID EXPOSURE
TO BEAM.**

Notes: Manufactured under licence from Dolby Laboratories. The double-D symbol is trademarks of Dolby Laboratories, Inc. All rights reserved.

Service Hints

CAUTION

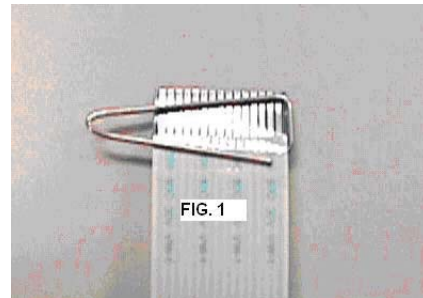
CHARGED CAPACITORS ON THE SERVO BOARD MAY DAMAGE THE DRIVE ELECTRONICS WHEN CONNECTING A NEW DRIVE. THAT'S WHY, BESIDES THE SAFETY MEASURES LIKE

- SWITCH OFF POWER SUPPLY
- ESD PROTECTION

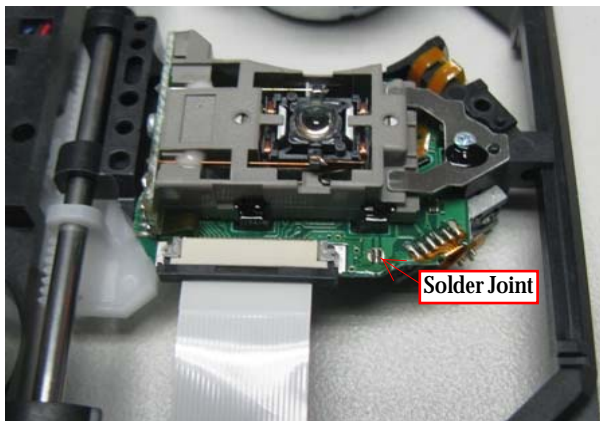
ADDITIONAL ACTIONS MUST BE TAKEN BY THE REPAIR TECHNICIAN.

The following steps have to be done when replacing the defective loader :

1. Dismantling of the loader to access the ESD protection point if necessary.
2. **Solder the ESD protection point***.
3. Disconnect flexfoil cable from the defective loader.
4. Put a paper clip on the flexfoil to short-circuit the contacts (fig.1)
5. Replace the defective loader with a new loader.
6. Remove paperclip from the flexfoil and connect it to the new loader.
7. Remove solder joint on the ESD protection point.



ATTENTION: The laser diode of this loader is protected against ESD by a solder joint which shortcircuits the laserdiode to ground. For proper functionality of the loader this solder joint must be remove **after** connection loader to the set.



(ESD protection point is accessible from top of loader)


****Only applicable for defective loader needed to be sent back to supplier for failure analysis and to support backcharging evidence.***

This is also applicable for all partnership workshops.

Notes

Lead-Free requirement for service

IDENTIFICATION:

Regardless of special logo (not always indicated) 

One must treat all sets from 1.1.2005 onwards, according next rules.

Important note: In fact also products a little older can also be treated in this way as long as you avoid mixing solder-alloys (leaded/ lead-free). So best to always use SAC305 and the higher temperatures belong to this.

Due to lead-free technology some rules have to be respected by the workshop during a repair:

- Use only lead-free solder alloy Philips SAC305 with order code 0622 149 00106. If lead-free solder-paste is required, please contact the manufacturer of your solder-equipment. In general use of solder-paste within workshops should be avoided because paste is not easy to store and to handle.
- Use only adequate solder tools applicable for lead-free solder alloy. The solder tool must be able
 - To reach at least a solder-temperature of 400°C,
 - To stabilize the adjusted temperature at the solder-tip
 - To exchange solder-tips for different applications.
- Adjust your solder tool so that a temperature around 360°C – 380°C is reached and stabilized at the solder joint. Heating-time of the solder-joint should not exceed ~ 4 sec. Avoid temperatures above 400°C otherwise wear-out of tips will rise drastically and flux-fluid will be destroyed. To avoid wear-out of tips switch off un-used equipment, or reduce heat.
- Mix of lead-free solder alloy / parts with leaded solder alloy / parts is possible but PHILIPS recommends strongly to avoid mixed solder alloy types (leaded and lead-free). If one cannot avoid, clean carefully the solder-joint from old solder alloy and re-solder with new solder alloy (SAC305).

- Use only original spare-parts listed in the Service-Manuals. Not listed standard-material (commodities) has to be purchased at external companies.
- Special information for BGA-ICs:
 - always use the 12nc-recognizable soldering temperature profile of the specific BGA (for de-soldering always use highest lead-free temperature profile, in case of doubt)
 - lead free BGA-ICs will be delivered in so-called 'dry-packaging' (sealed pack including a silica gel pack) to protect the IC against moisture. After opening, dependent of MSL-level seen on indicator-label in the bag, the BGA-IC possibly still has to be baked dry. This will be communicated via AYS-website.
- Do not re-use BGAs at all.
- For sets produced before 1.1.2005, containing leaded soldering-tin and components, all needed spare-parts will be available till the end of the service-period. For repair of such sets nothing changes.
- On our website:

www.atyourservice.ce.Philips.com

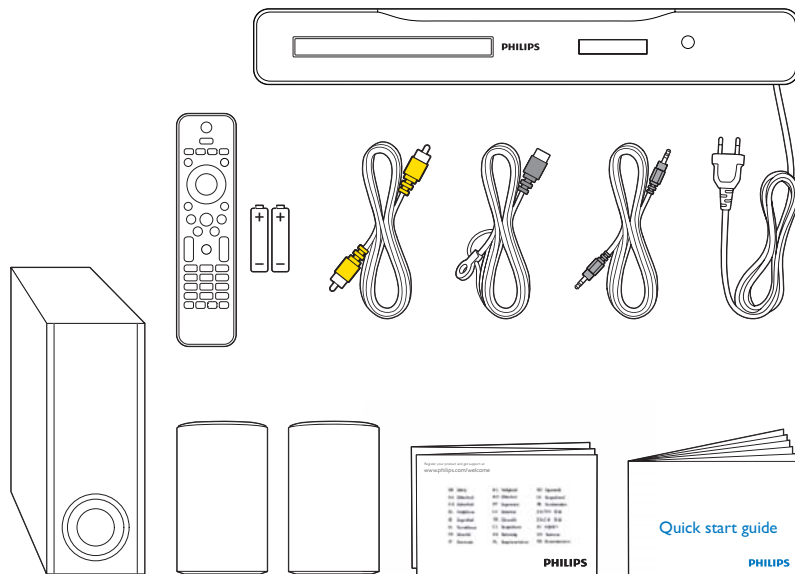
You find more information to:

BGA-de-/soldering (+ baking instructions)
Heating-profiles of BGAs and other ICs used in Philips-sets

You will find this and more technical information within the "magazine", chapter "workshop news".
For additional questions please contact your local repair-helpdesk.

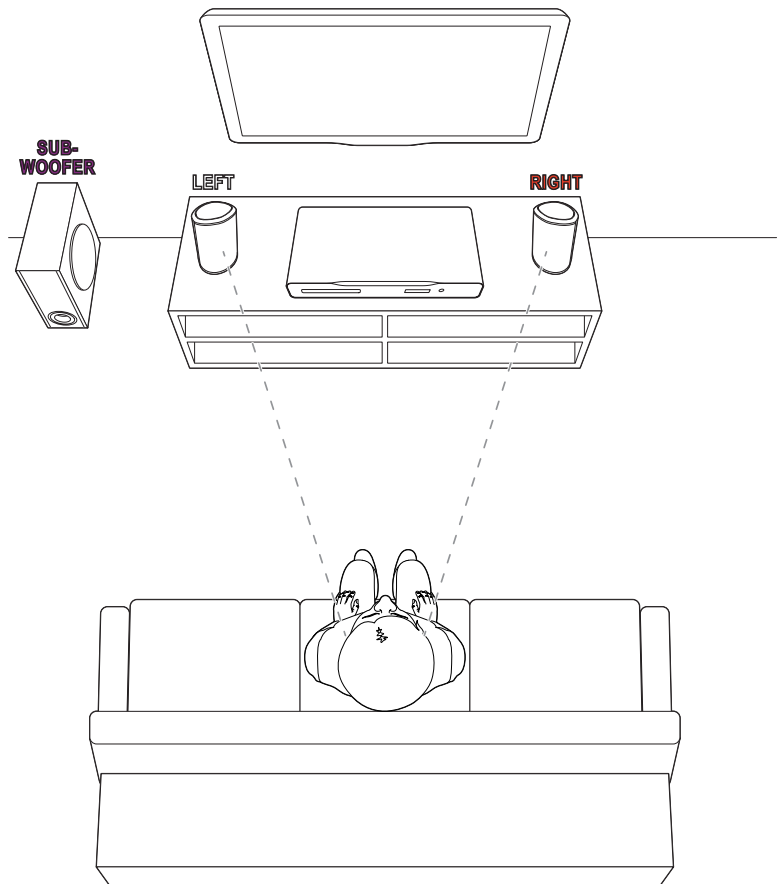


- EN** What's in the box
DA Hvad følger med
DE Verpackungsinhalt
EL Περιεχόμενα συσκευασίας
ES Contenido de la caja
FI Pakkauksen sisältö
FR Contenu de l'emballage
IT Contenuto della confezione
NL De inhoud van de doos
NO Innholdet i esken
PT Conteúdo da embalagem
SV Vad finns i förpackningen?
TR Kutü içeriği
CS Obsah balení
HU A doboz tartalma
PL Zawartość opakowania
RO Ce se află în cutie
SK Obsah balenia



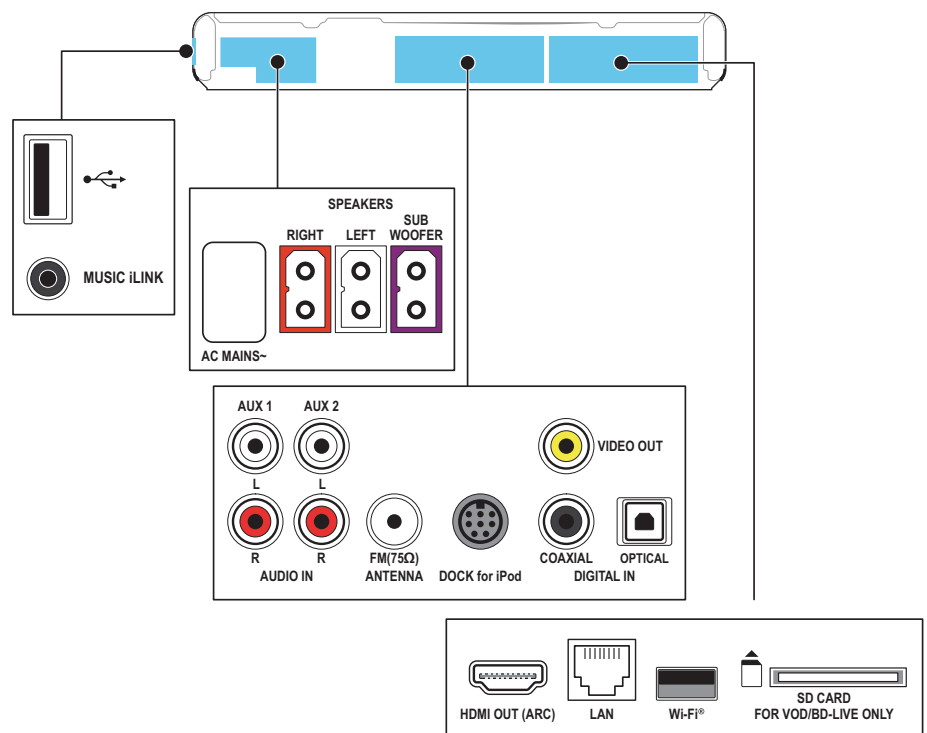
1

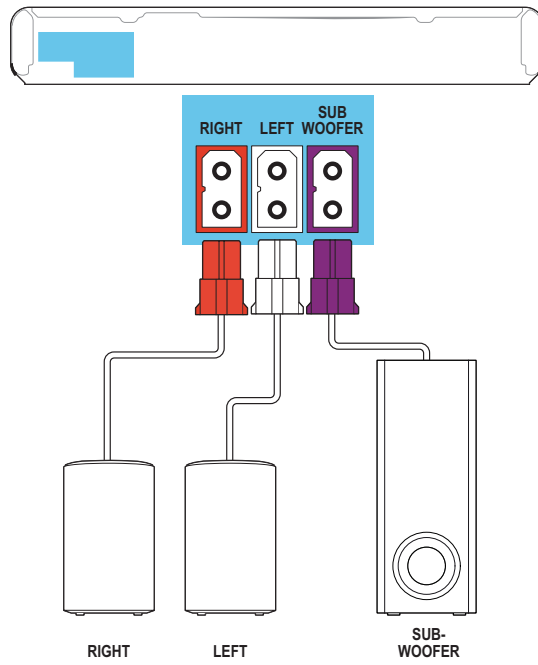
- EN** Position the speakers
DA Vælg en placering til højttalerne
DE Positionieren der Lautsprecher
EL Τοποθετήστε τα ηχεία
ES Coloca los altavoces
FI Kaiuttimien sijainti
FR Positionner les enceintes
IT Posizionamento degli altoparlanti
NL Plaats de luidsprekers
NO Plassere høyttalerne
PT Posicionar os altifalantes
SV Placera högtalarna
TR Hoparlörleri yerleştirin
CS Umístěte reproduktory
HU A hangsugárzók elhelyezése
PL Rozmieszczenie głośników
RO Poziționați boxe
SK Rozmiestnenie reproduktorov

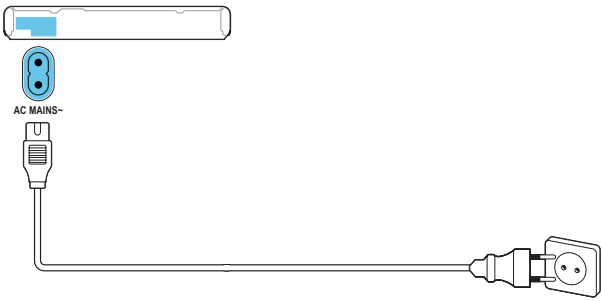
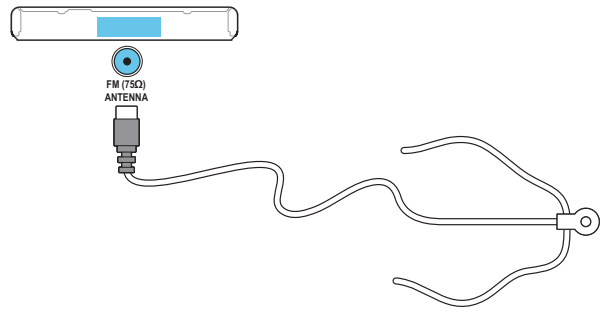
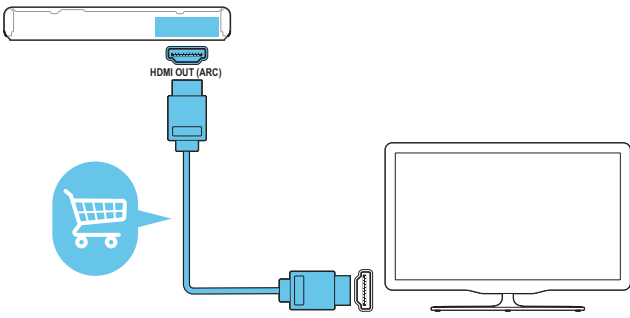


2

- EN** Connect the home theater
DA Tilslut hjemmteatret
DE Anschließen des Home Entertainment-Systems
EL Συνδέστε το home cinema
ES Conecta el sistema de cine en casa
FI Kotiteatterin liittäminen
FR Connecter les enceintes au Home Cinéma
IT Collegamento del sistema Home Theater
NL Sluit de home cinema aan
NO Koble til hjemmekinoanlegget
PT Efectuar as ligações ao sistema de cinema em casa
SV Anslut hemmabiosystemet
TR Ev sinemasını bağlayın
CS Připojte domácí kino
HU A házimozi csatlakoztatása
PL Podłączenie zestawu kina domowego
RO Conectați sistemul home theater
SK Pripojenie k domácemu kinu



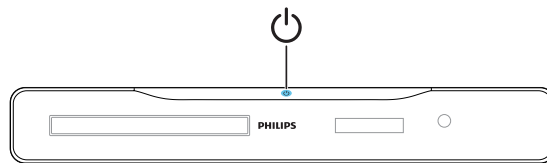




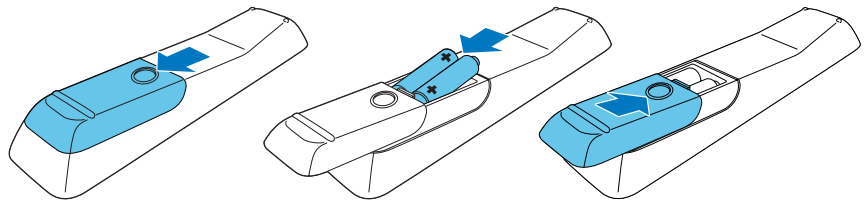
3

- EN** Switch on the home theater
DA Tænd for hjemmebiografen
DE Einschalten des Home Entertainment-Systems
EL Ενεργοποιήστε το home cinema
ES Enciende el sistema de cine en casa
FI Virran kytkeminen kotiteatteriin
FR Mettre sous tension le Home Cinéma
IT Accensione del sistema Home Theater
NL Schakel de home cinema in
NO Slå på hjemmekinoanlegget
PT Ligar o sistema de cinema em casa
SV Sätt på hemmabiosystemet
TR Ev sinemasını açın
CS Zapněte domácí kino
HU A házimozi bekapcsolása
PL Włączenie zestawu kina domowego
RO Porniți sistemul home theater
SK Zapnutie domáceho kina

1



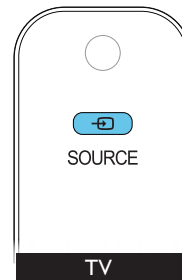
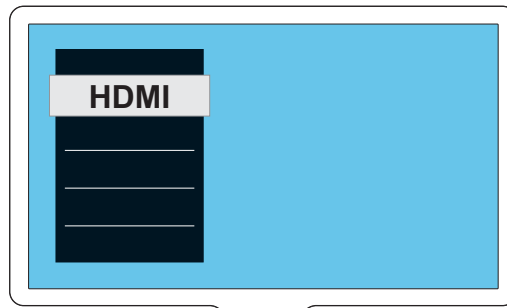
2

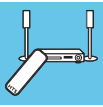




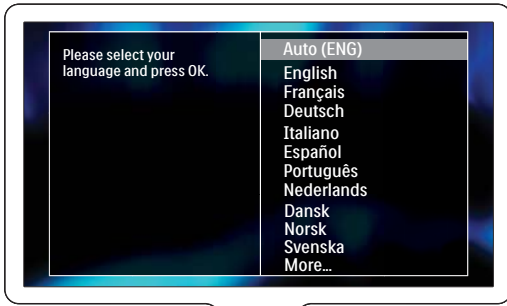
- EN** Complete the first time setup
DA Fuldfør den indledende opsætning
DE Abschließen der Ersteinrichtung
EL Ολοκληρώστε τη ρύθμιση για πρώτη φορά
ES Finaliza la configuración inicial
FI Ensiasennuksen suorittaminen loppuun
FR Effectuer la configuration initiale
IT Completamento della configurazione iniziale
NL Voltooi de eerste installatie
NO Fullfør den første konfigureringen
PT Executar a configuração inicial
SV Slutför förstagångsinställningen
TR İlk kullanım öncesi kurulumunu tamamlayın
CS Dokončíte jste nastavení při prvním zapnutí
HU Az első üzembe helyezés
PL Pierwsza konfiguracja
RO Realizați prima configurare
SK Dokončenie prvého nastavenia

1

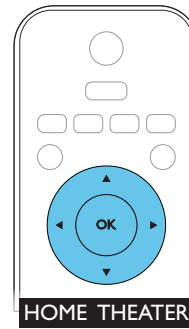
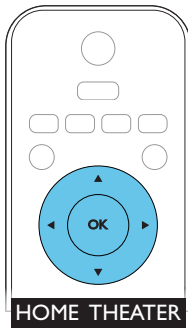
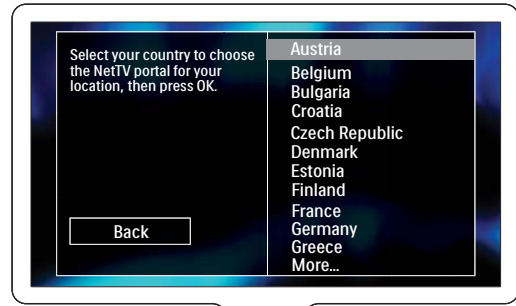




2

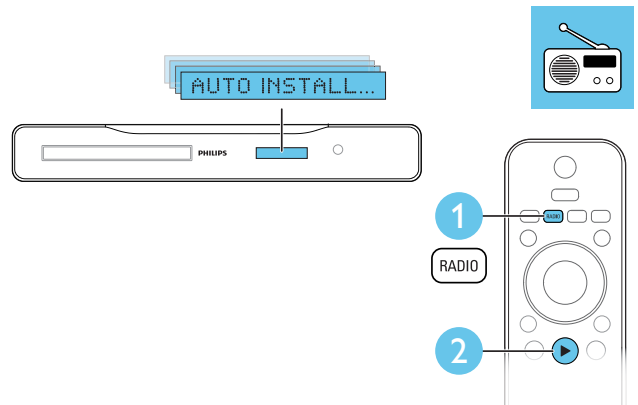
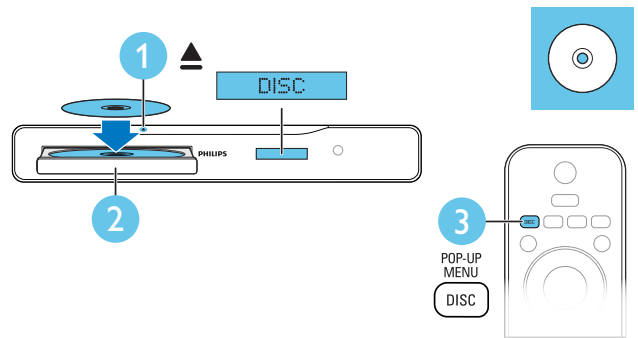


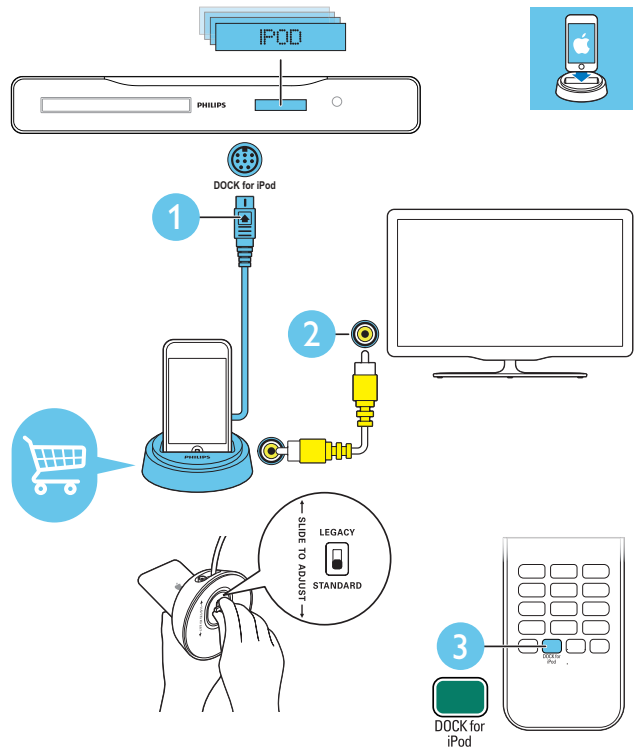
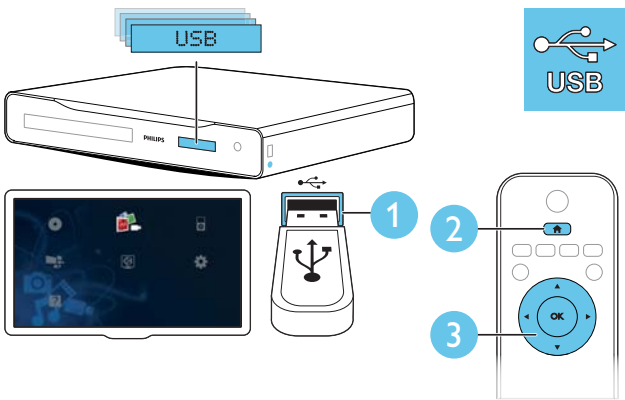
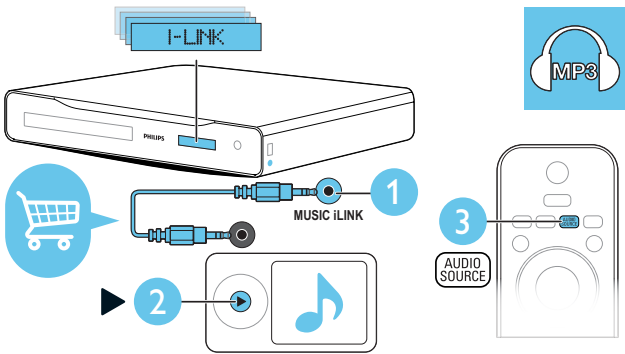
3



5

- EN** Use your home theater
DA Brug af din hjemmebiograf
DE Verwenden des Home Entertainment-Systems
EL Χρησιμοποιήστε το home cinema
ES Uso del sistema de cine en casa
FI Kotiteatterin käyttäminen
FR Utilisez votre Home Cinéma
IT Utilizzo del sistema Home Theater
NL Uw home cinema bedienen
NO Bruke hjemmekinoanlegget
PT Utilizar o sistema de cinema em casa
SV Använda hemmabiosystemet
TR Ev sinema sisteminin kullanılması
CS Použití domácího kina
HU A házi mozi használat
PL Korzystanie z zestawu kina domowego
RO Utilizați sistemul home theater
SK Používanie domáceho kina



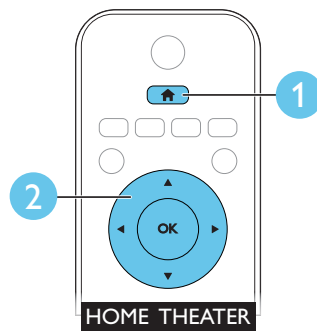




- EN** Need more information about your product? Search the onscreen help
- DA** Har du brug for mere information om produktet? Søg i skærmbjælpen.
- DE** Benötigen Sie weitere Informationen zu Ihrem Produkt? Suchen Sie in der Bildschirmhilfe.
- EL** Θέλετε περισσότερες πληροφορίες σχετικά με το προϊόν σας; Κάντε αναζήτηση στη βοήθεια επί της οθόνης.
- ES** Si necesita más información sobre el producto, busque en la ayuda en pantalla.
- FI** Tarvitseko tuotteenne lisätietoja? Perehdy näyttöohjeeseen.
- FR** Vous souhaitez de plus amples informations sur votre produit ? Effectuez une recherche dans l'aide à l'écran.
- IT** Per ulteriori informazioni sul prodotto, consultare la guida su schermo.
- NL** Wilt u meer informatie over uw product? Zoek in de help op het scherm.
- NO** Trenger du mer informasjon om produktet? Søk i hjelpen på skjermen.
- PT** Necesita de mais informações sobre o produto? Pesquise a ajuda no ecrã.
- SV** Vill du ha mer information om den här produkten? Sök i skärmbjælpen.
- TR** Ürününüz hakkında daha fazla bilgiye mi ihtiyacınız var? Ekran yardımında arama yapın.
- CS** Potřebujete další informace o produktu? Prohleďte elektronickou nápovědu.
- HU** Segítségre van szüksége a termékkel kapcsolatban? Kérdésére a képernyőn megjelenő súgóban találhat választ.
- PL** Potrzebujesz więcej informacji o tym produkcie? Wyszukaj ją w pomocy wyświetlanej na ekranie.

RO Aveți nevoie de informații suplimentare despre produsul dumneavoastră? Căutați în meniul de asistență pe ecran.

SK Potrebujete ďalšie informácie o svojom produkte? Pozrite si pomocníka na obrazovke.

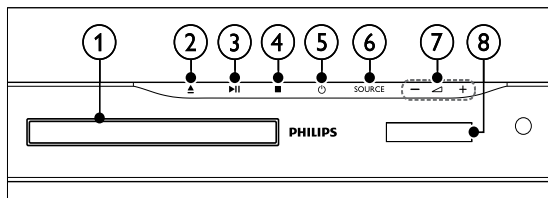


HTS3271/12 :

Home Theater

Congratulations on your purchase, and welcome to Philips! To fully benefit from the support that Philips offers, register your home theater at www.philips.com/welcome.

Main unit



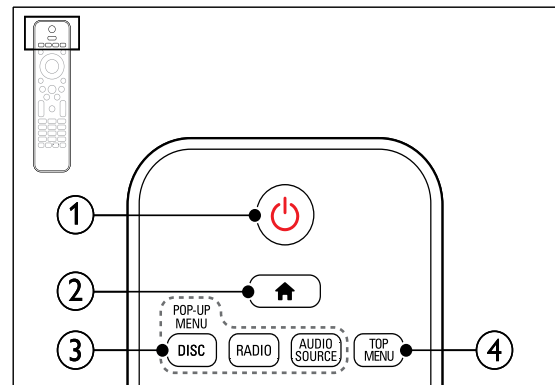
- ① **Disc compartment**
- ② **▶|| (Open/Close)**
Open or close the disc compartment, or eject the disc.
- ③ **▶|| (Play/Pause)**
Start, pause or resume play.
- ④ **■ (Stop)**
Stop play.
- ⑤ **⏻ (Standby-On)**
Switch the home theater on or to standby.
- ⑥ **SOURCE**
Select an audio or video source for the home theater.
- ⑦ **↔ +/- (Volume)**
Increase or decrease volume.
- ⑧ **Display panel**

Remote control

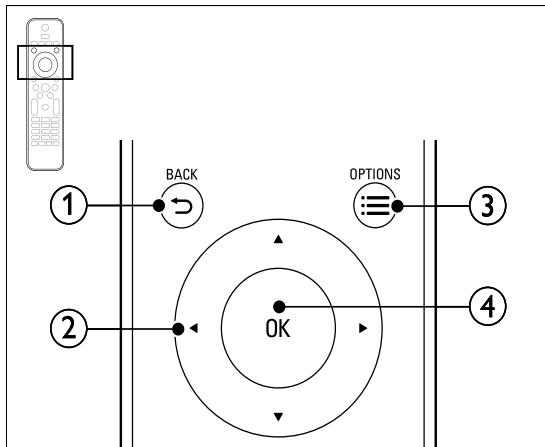
This section includes an overview of the remote control.

Overview

Control your home theater with the remote control.



- ① **⏻ (Standby-On)**
 - Switch the home theater on or to standby.
 - When EasyLink is enabled, press and hold for at least three seconds to switch all connected HDMI CEC compliant devices to standby.
- ② **🏠 (Home)**
Access the home menu.
- ③ **Source buttons**
 - **DISC/POP-UP MENU:** Access or exit the disc menu when you play a disc.
 - **RADIO:** Switch to FM radio.
 - **AUDIO SOURCE:** Select an audio input source.
- ④ **TOP MENU**
Access the main menu of a video disc.



① ↶ BACK

- Return to a previous menu screen.
- In radio mode, press and hold to erase the current preset radio stations.

② Navigation buttons

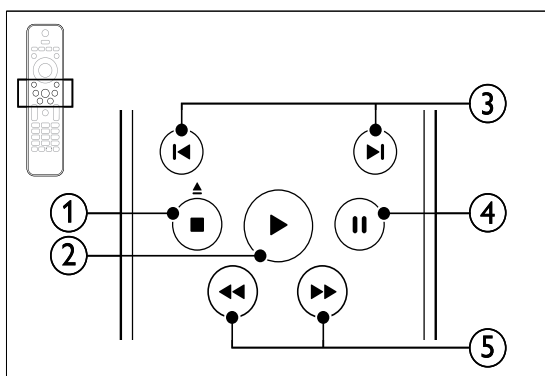
- Navigate menus.
- In radio mode, press left or right to start auto search.
- In radio mode, press up or down to tune the radio frequency.

③ ≡ OPTIONS

- Access more play options while playing a disc or a USB storage device.
- In radio mode, set a radio station.

④ OK

Confirm an entry or selection.



① ■ (Stop) / ▲ (Eject/Open/Close)

- Stop play.
- Press and hold for three seconds to open or close the disc compartment, or eject the disc.

② ▶ (Play)

Start or resume play.

③ ◀ / ▶ (Previous/Next)

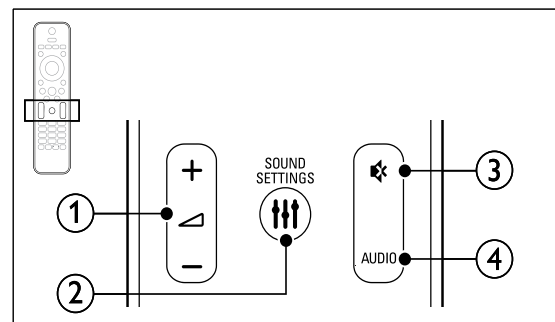
- Skip to the previous or next track, chapter or file.
- In radio mode, select a preset radio station.

④ || (Pause)

Pause play.

⑤ ◀◀ / ▶▶ (Fast Backward/Fast Forward)

Search backwards or forward. Press repeatedly to change the search speed.



① ▲ +/- (Volume)

Increase or decrease volume.

② || SOUND SETTINGS

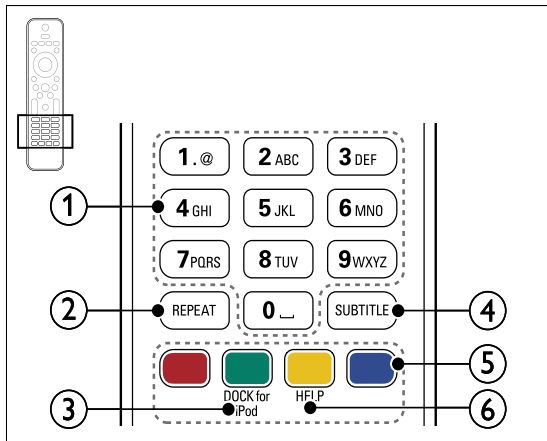
Access or exit sound options.

③ ✖ (Mute)

Mute or restore volume.

④ AUDIO

Select an audio language or channel.



- ① **Alphanumeric buttons**
Enter values or letters (using SMS style entry).
- ② **REPEAT**
Select or turn off repeat mode.
- ③ **DOCK for iPod**
Switch to Philips dock for iPod or iPhone.
- ④ **SUBTITLE**
Select subtitle language for video.
- ⑤ **Color buttons**
Select tasks or options for Blu-ray discs.
- ⑥ **HELP**
Access the onscreen help.

EasyLink controls

With Easylink, you can control your home theater and the TV with the following buttons on your home theater remote control (see 'EasyLink' on page 36).

- **⏻ (Standby-On):** Press and hold to switch your home theater, TV and the connected devices to standby.
- **▶ (Play):** When a video disc is in the disc compartment, wake up the TV from standby, and then play a disc.

Mechanical and Dismantling Instructions

Dismantling Instruction

Detailed information please refer to the model set.

The following guidelines show how to dismantle the player.

Step1: Remove 6 screws around the Top Cover, and then remove the Top Cover (Figure 1).



Figure 1

Step2: If it is necessary to dismantle Loader or Front Panel, the Front door should be removed first. (Figure 2)

Note: Make sure to operate gently otherwise the guider would be damaged.



Please kindly note that dismantle the front door assembly carefully to avoid damage tray and the front door.

Figure 2

Mechanical and Dismantling Instructions

Dismantling Instruction

Detailed information please refer to the model set.

Step3 : Dismantle Front Panel, disconnect the connectors (XP6, XP8), need release 4 snaps of Front Panel & 2 snaps of bottom cabinet , then gently pull the Panel out from the set. (Figure 3)

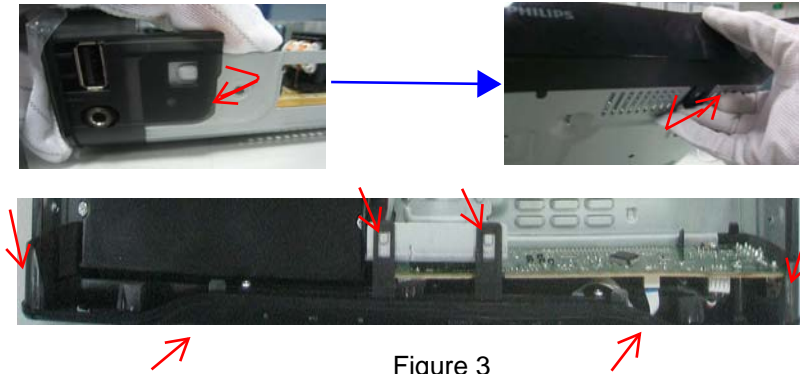


Figure 3

Step4 : Dismantle Front Control Board, remove 3 screws and disconnect CON607 on Front Control Board .(Figure 4)

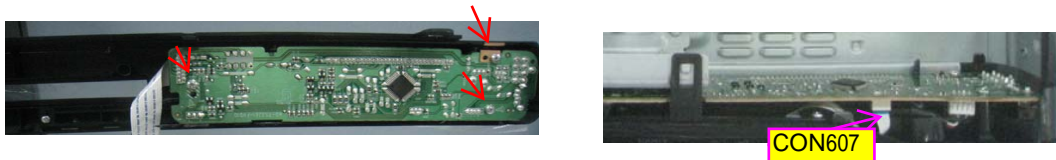


Figure 4

Step5: Dismantle Loader, disconnect the 3 connectors (XP5, XP7, XP10) aiming in the below figure, and remove 2 screws that connects the loader and the bottom cabinet. (Figure 5)



Figure 5

Mechanical and Dismantling Instructions

Dismantling Instruction

Detailed information please refer to the model set.

Step6: Dismantle Main Board, first disconnect 3 connectors (XP1, XP11, XP13), and then remove 7 screws. (Figure 6)

Step7: Dismantling Power Board, disconnect the connectors XP702 and CN501 on Power Board,then remove 5 screws.(Figure 6)

Step8: Dismantling Amplifier Board, remove 3 screws,XP8 and XP703 fromthe PCB. (Figure 6)

Step9: Dismantle AUX Input Board,remove 1 screw.(Figure 6)

Step10:Dismantle Fan,remove 2 screw .(Figure 6)



Figure 6

Software upgrade

A. Software upgrade method:

1. Set up a new folder and name it 'UPG' in the root of USB device.
2. Copy the file(HTS_XXXX.bin)which you want to upgrade into the 'UPG' folder
3. Power on the BD Player, after it shows the UI, plug the USB device
4. Select the SETUP Menu, then find and select item 'Advanced'
5. In the item 'Advanced', find and select item 'Software Update', then select item 'USB', please follow the tip to complete the upgrade.

B. Read out the software versions to confirm upgrading

Follow the steps shows below:

SETUP—>Advanced >Version Info.

While it shows the dialog box, we can see some information like below:

For example:

Model: HTSxxxx/xx

System SW:x.xx.xx

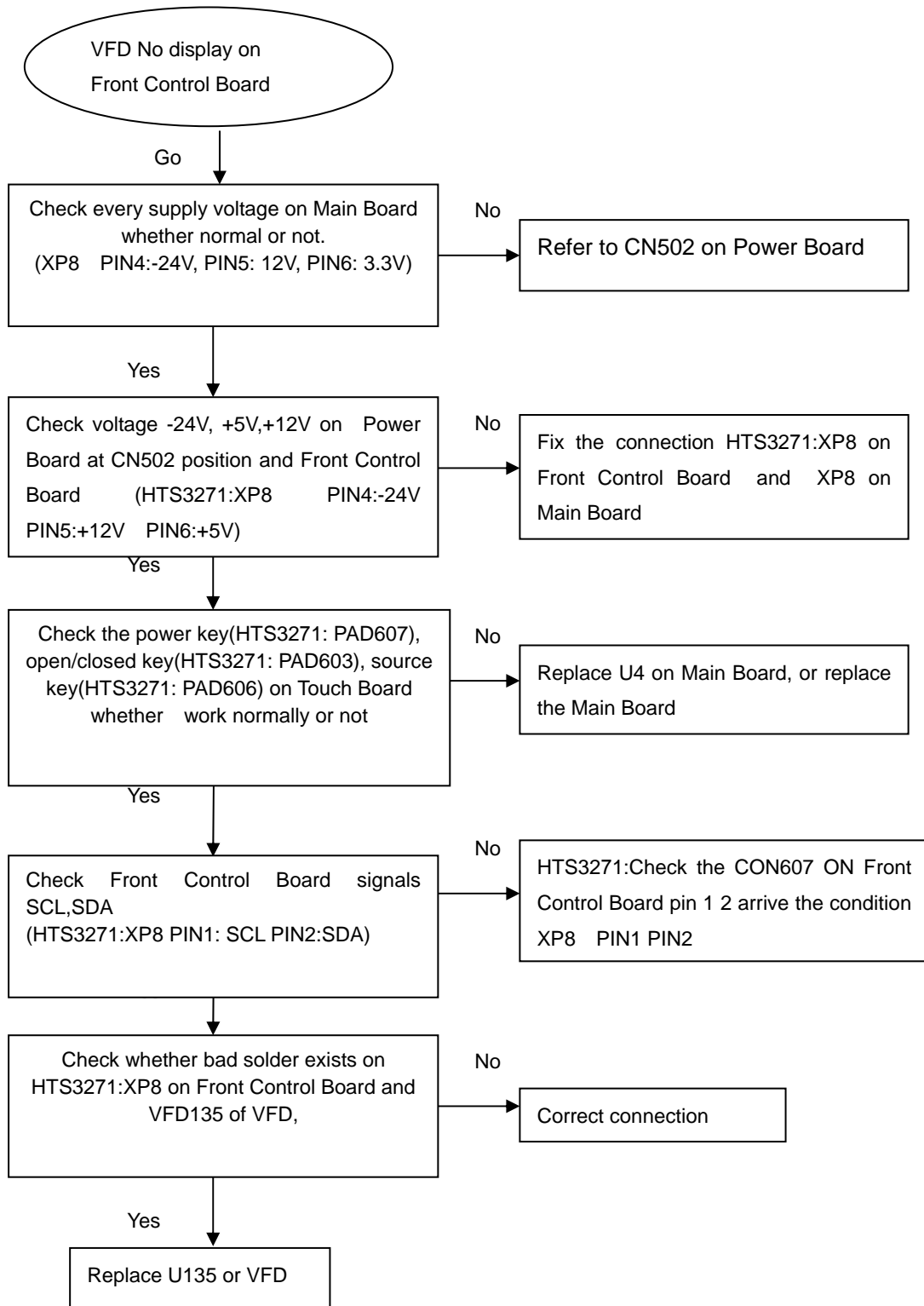
Subsystem SW:xx-xx-xx-xx

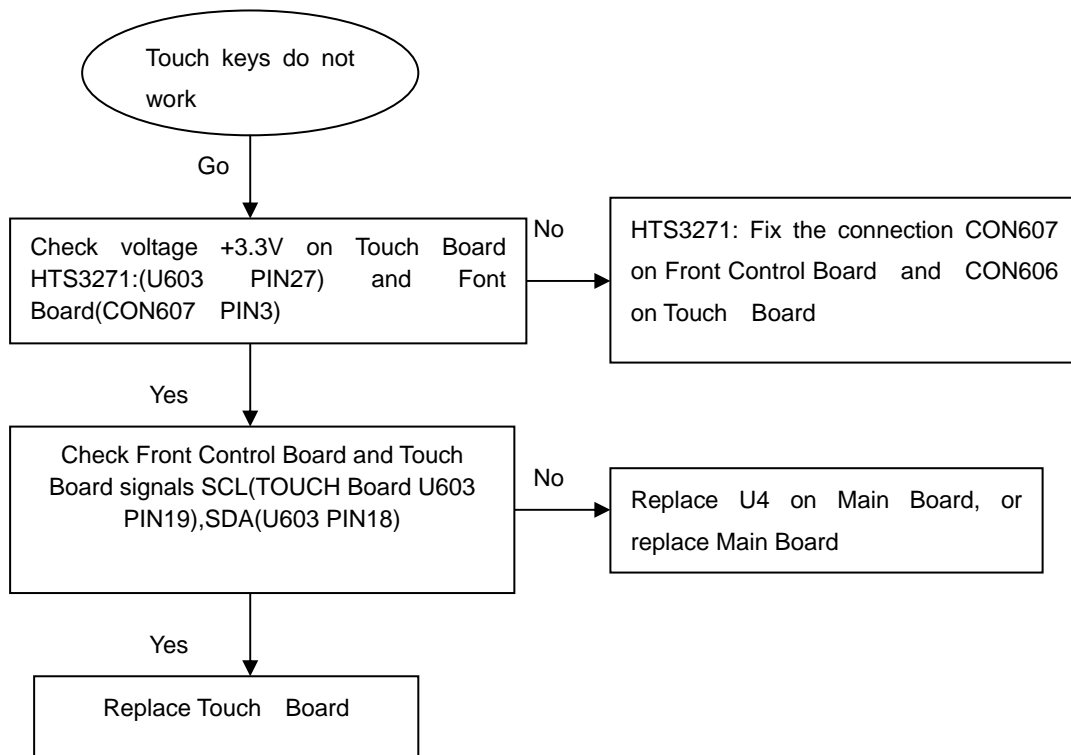
Ethernet MAC:xx:xx:xx:xx:xx;xx

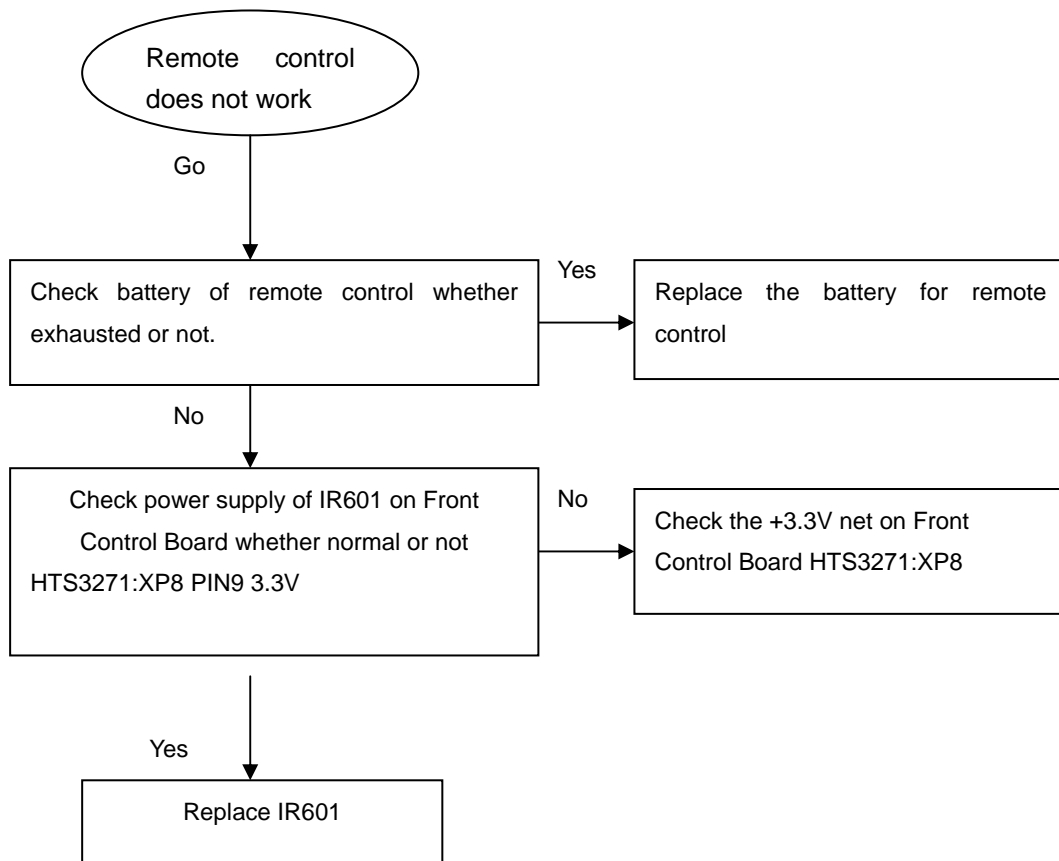
EUI64:xxxxxxxxxxxxxxxx

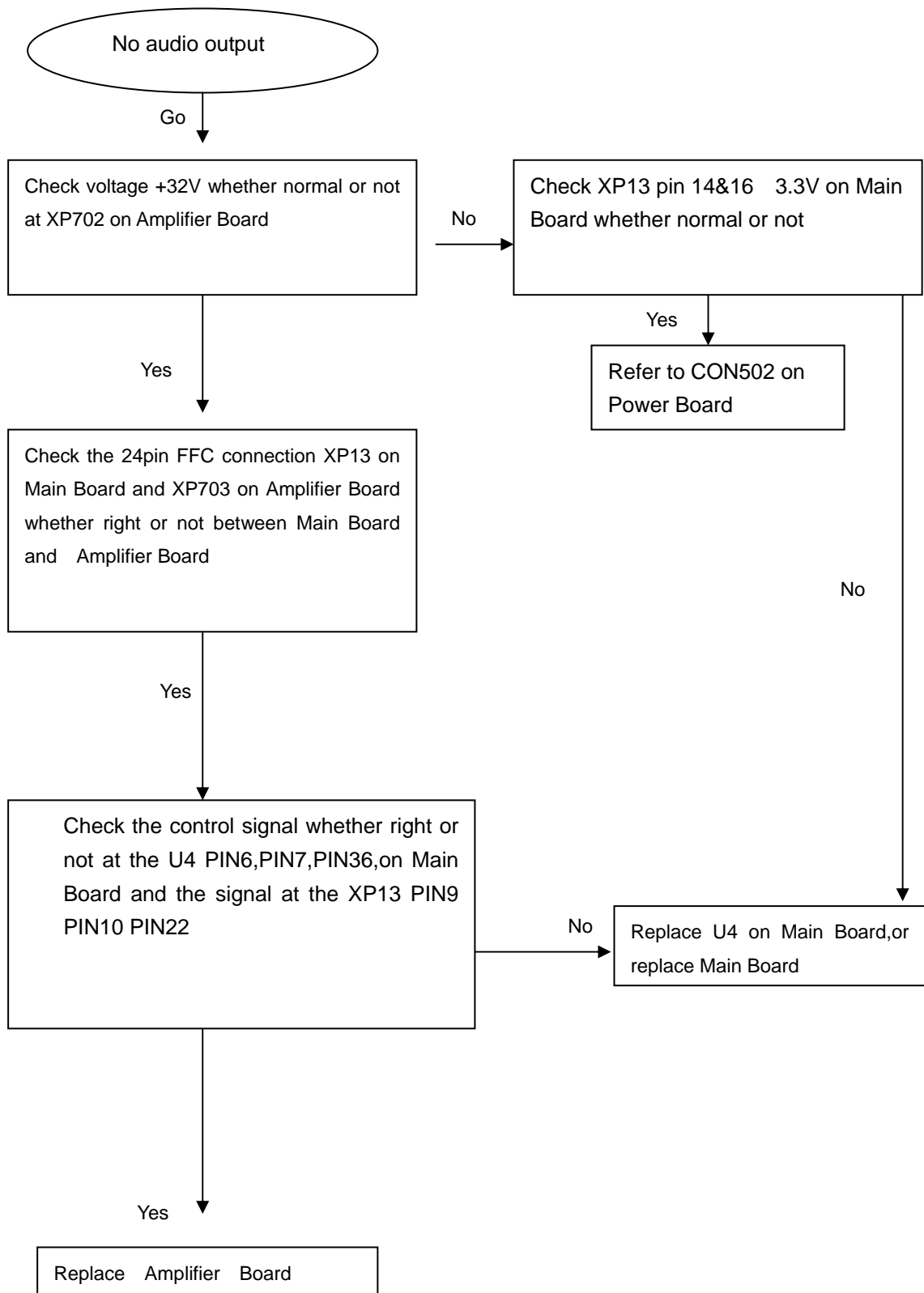
Caution: The set must not be power off during upgrading, Otherwise the Main board will be damaged entirely.

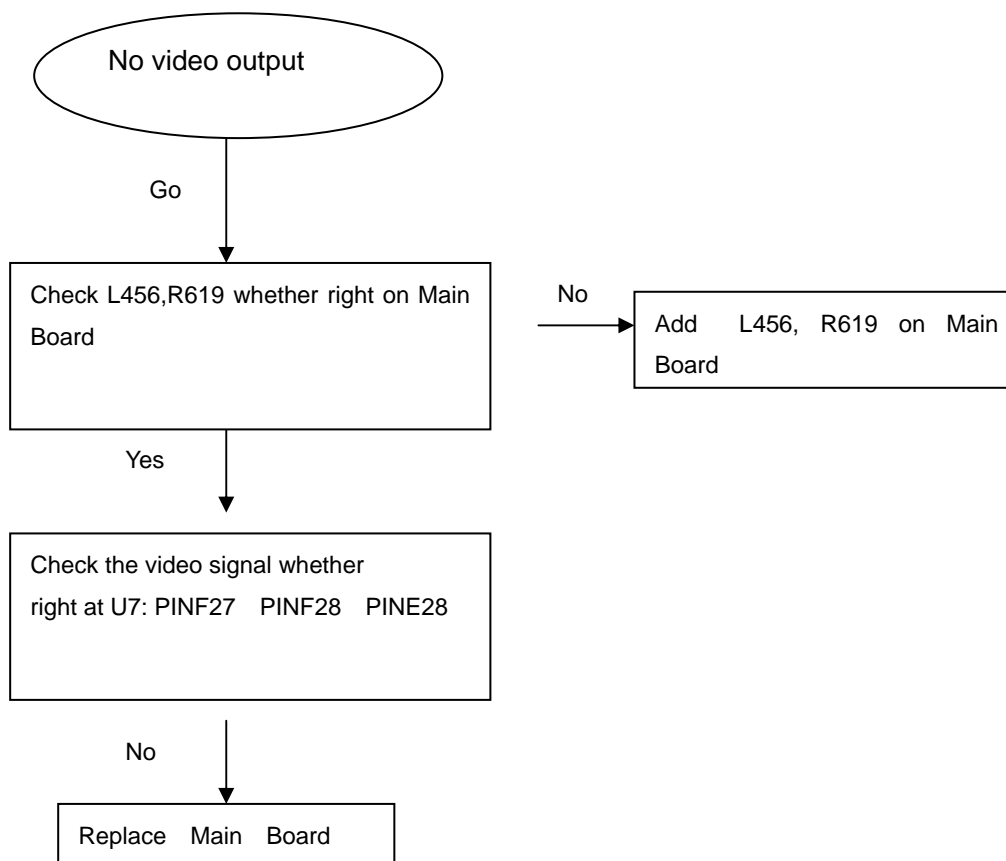
VFD No display on Front Control Board

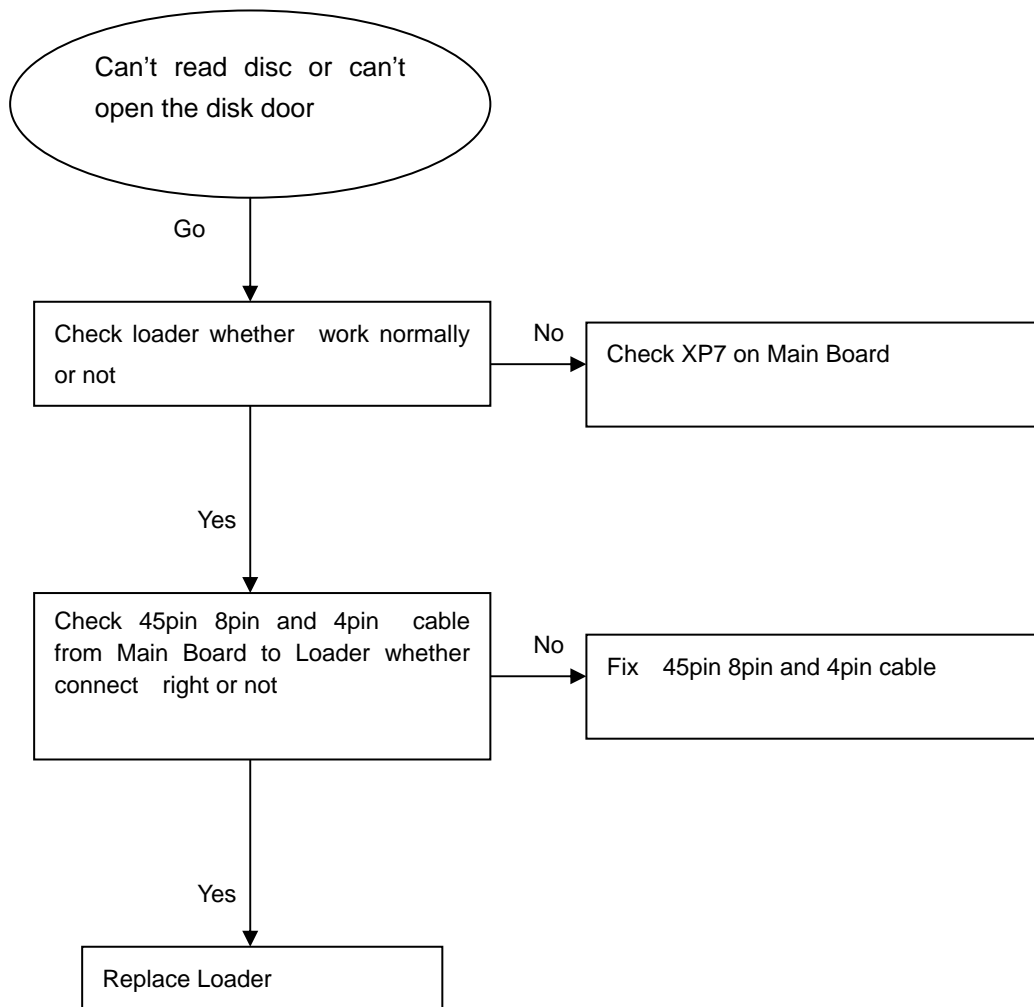


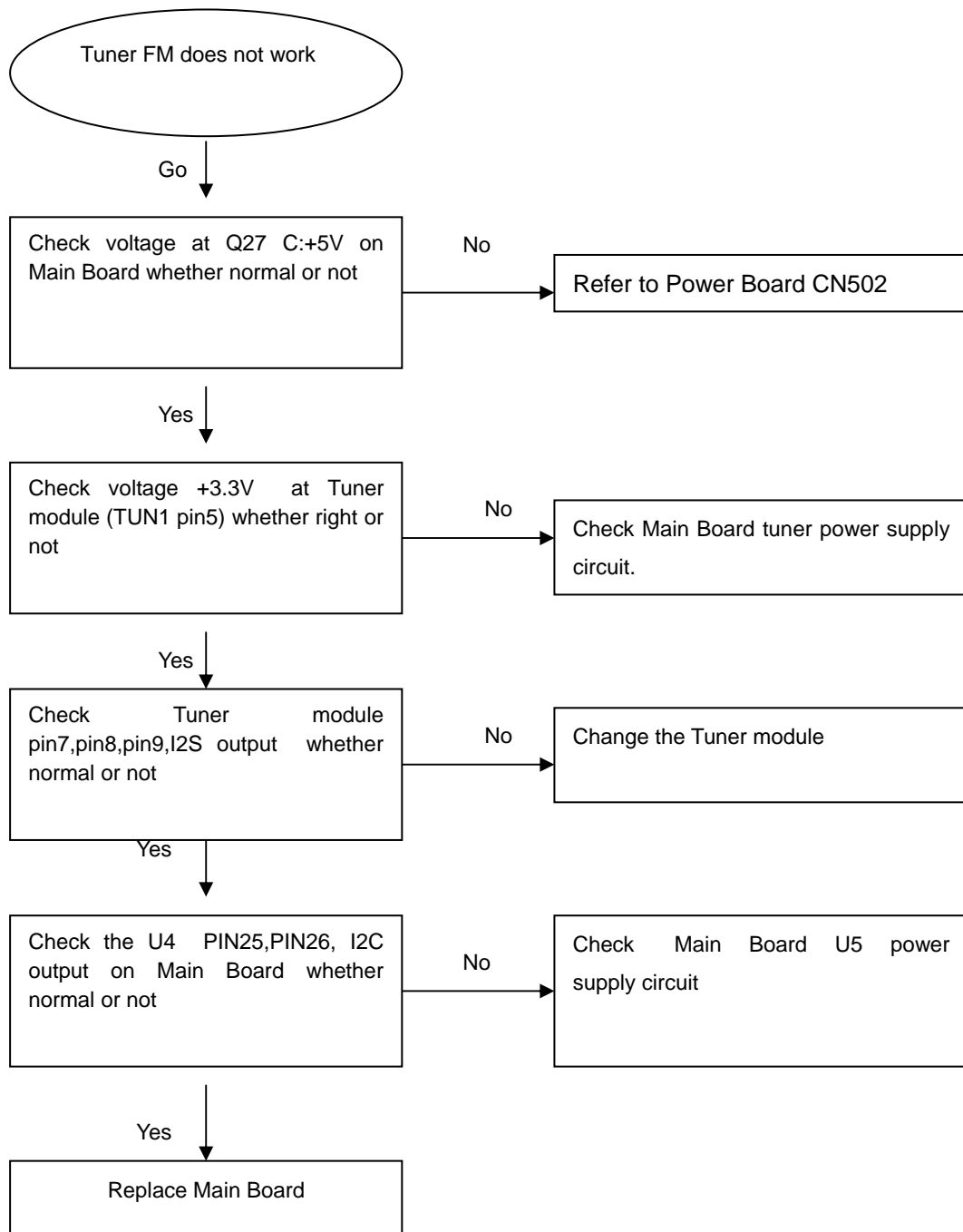
Touch keys do not work

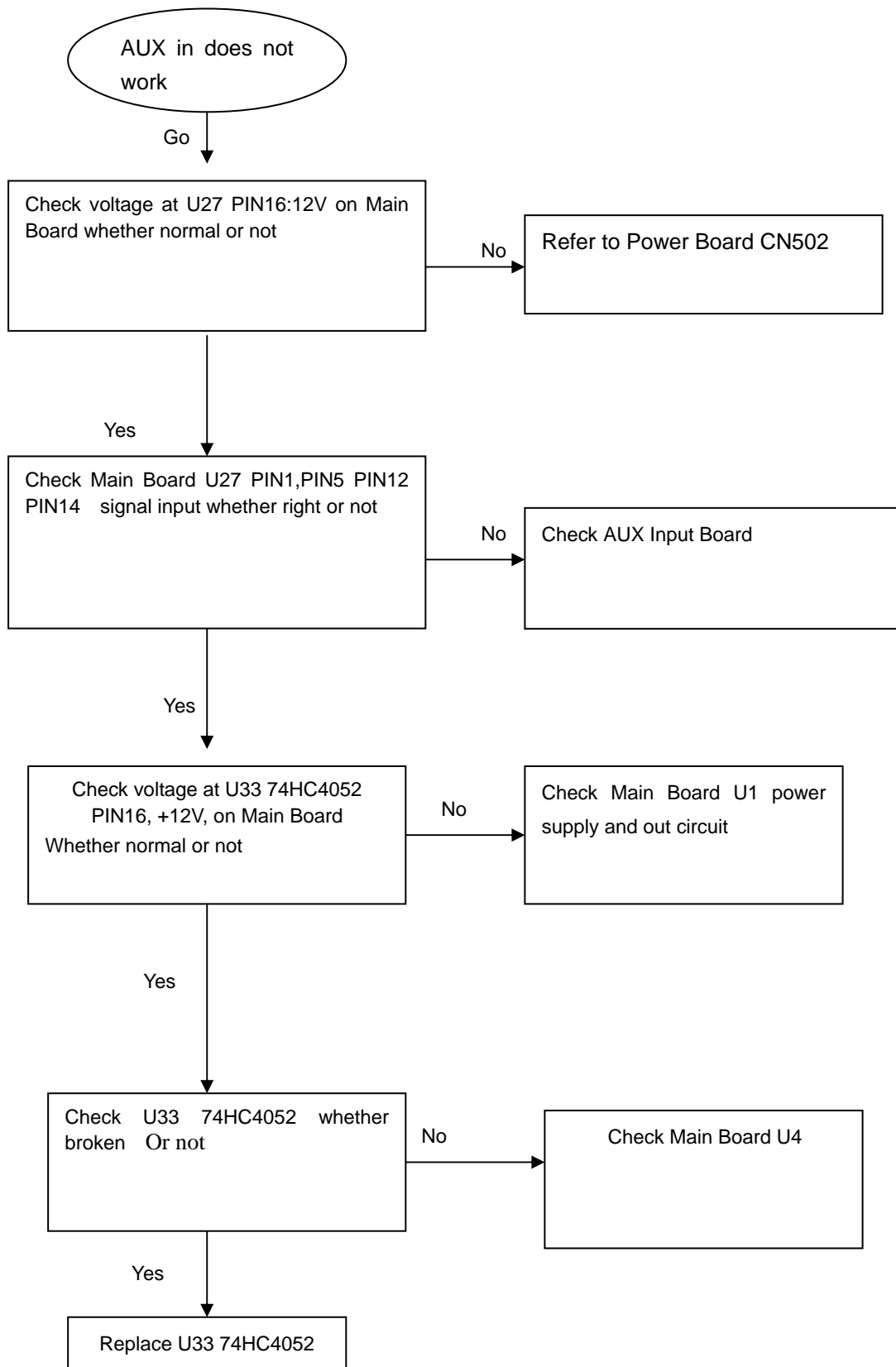
Remote control does not work

No audio output

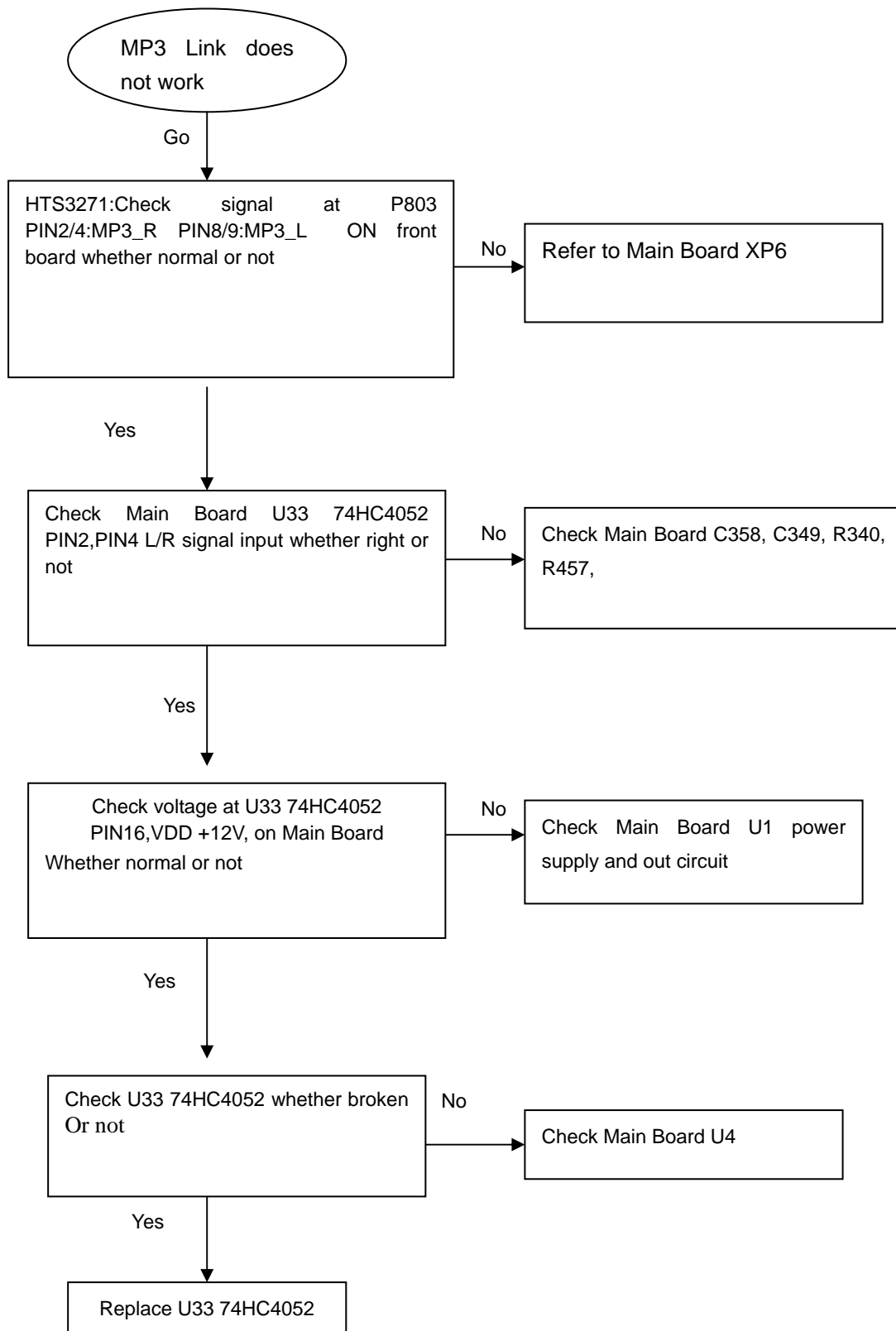
No video output

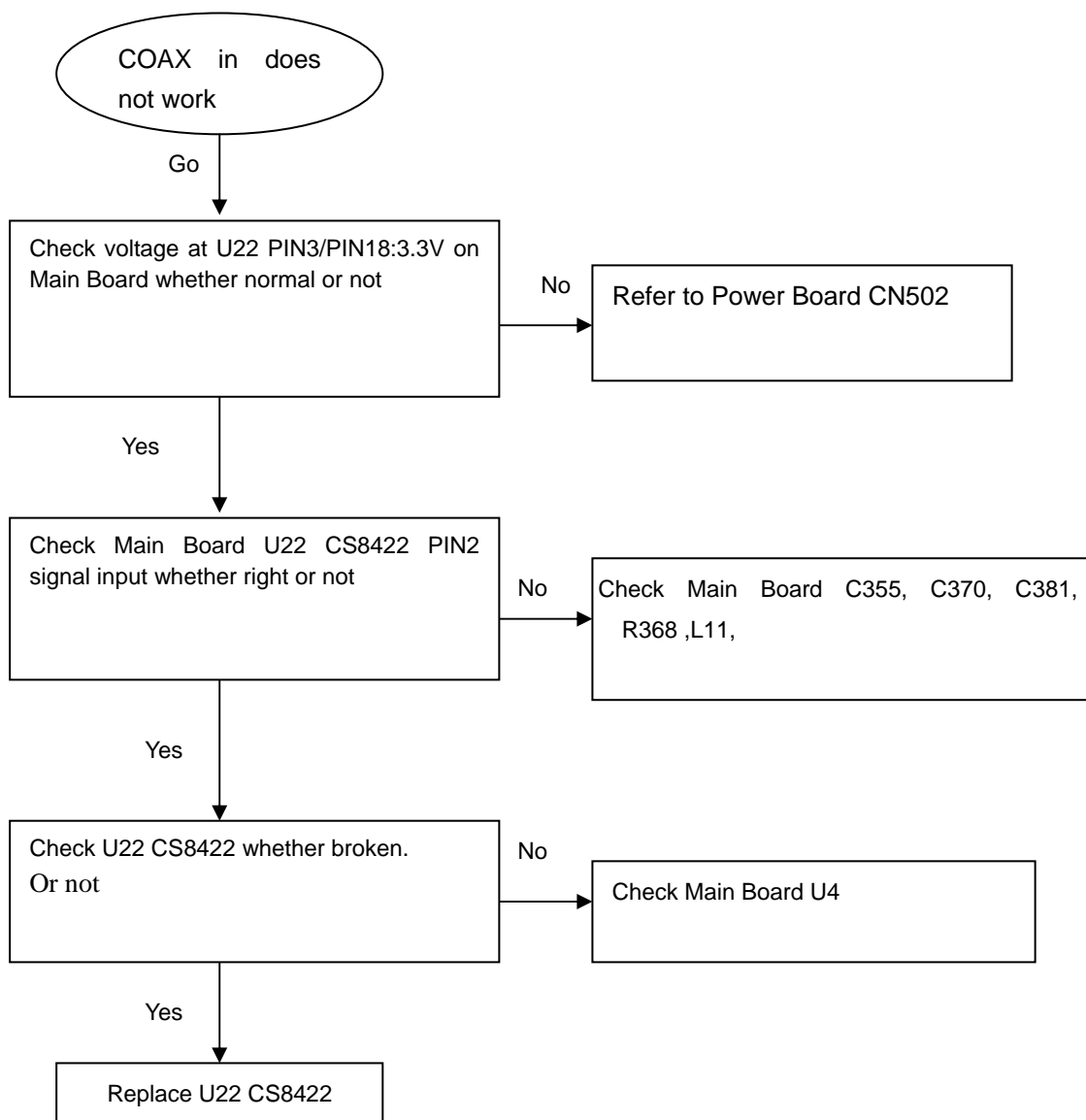
Can't read disc or can't open the disk door

Tuner FM does not work

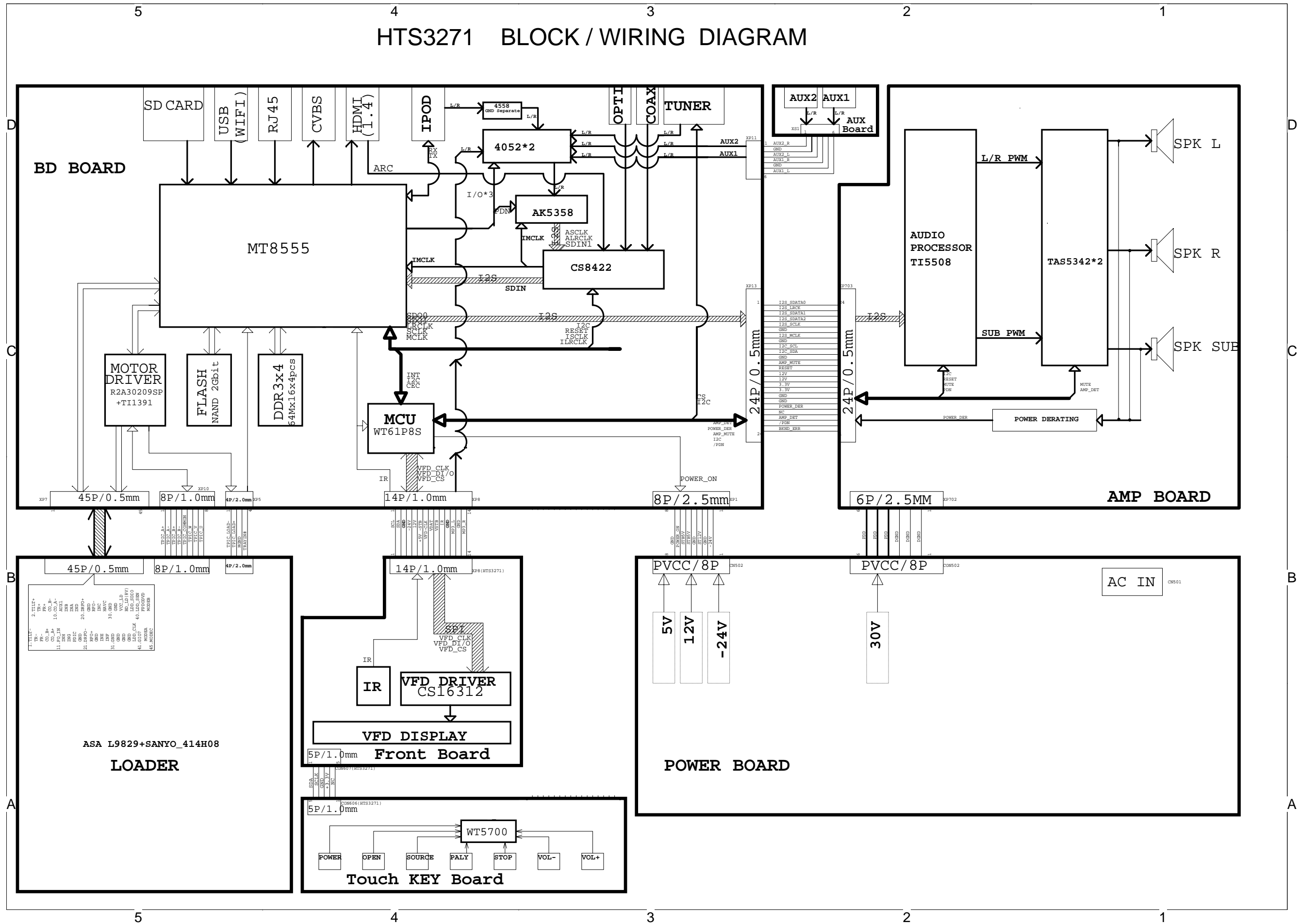
AUX in does not work

MP3 Link does not work

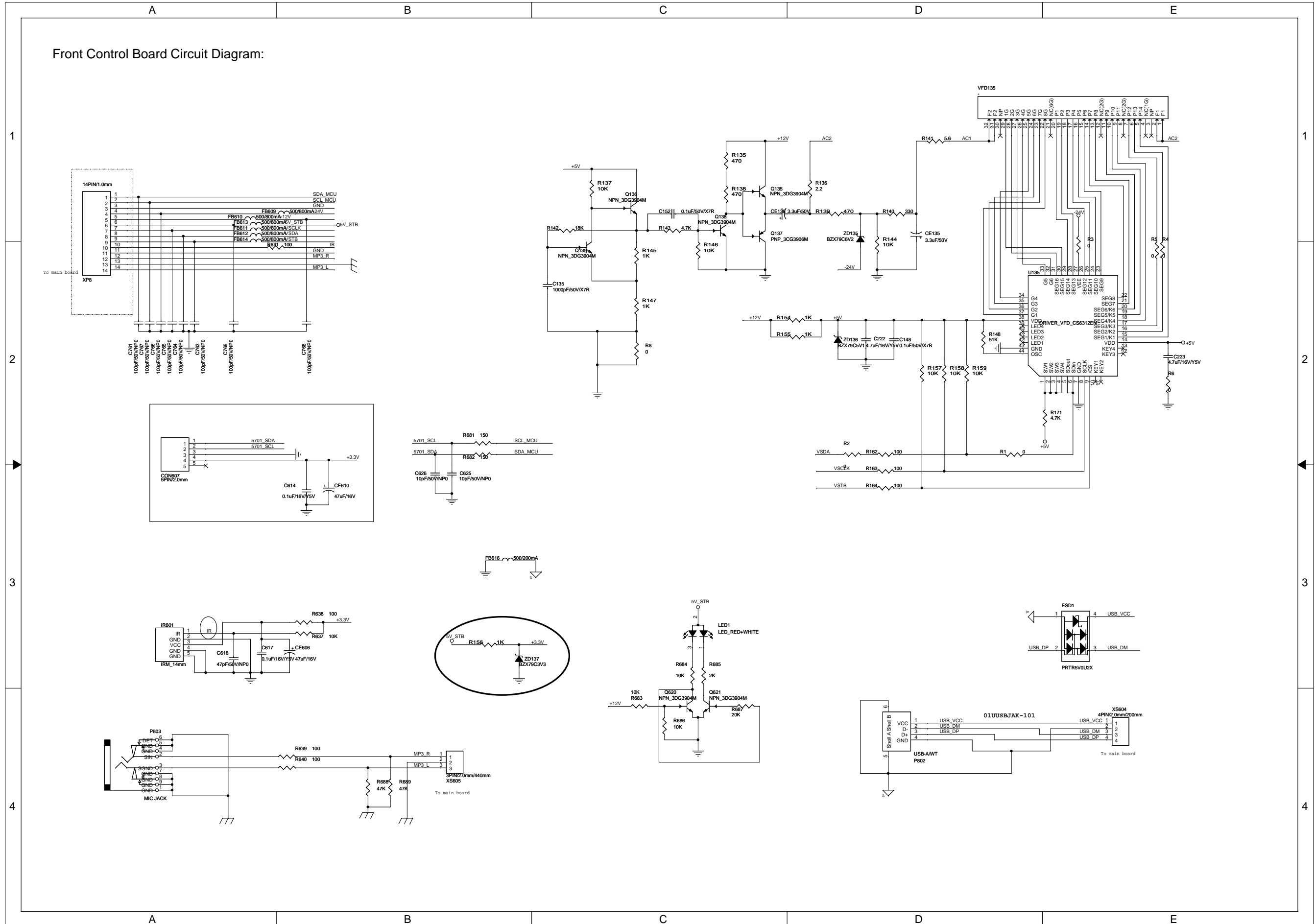


COAX in does not work

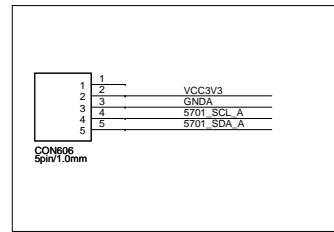
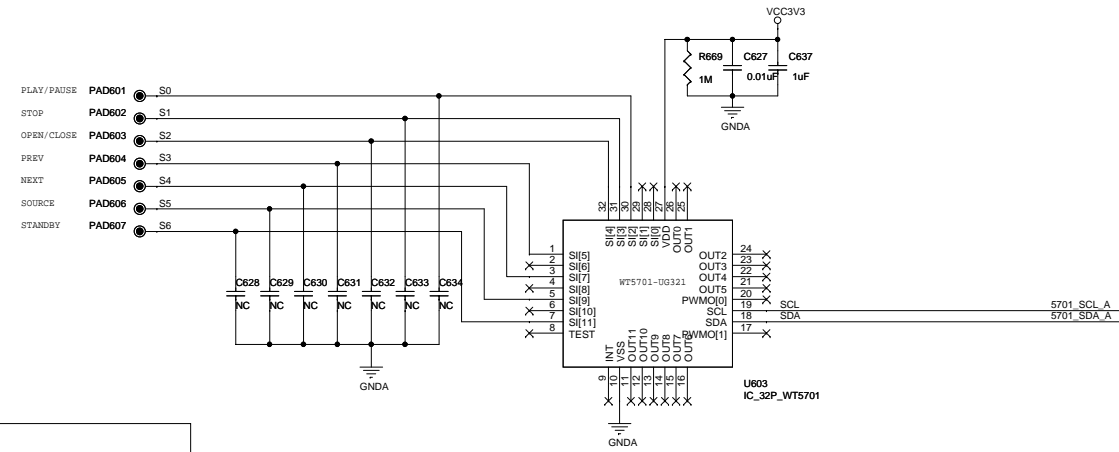
HTS3271 BLOCK / WIRING DIAGRAM



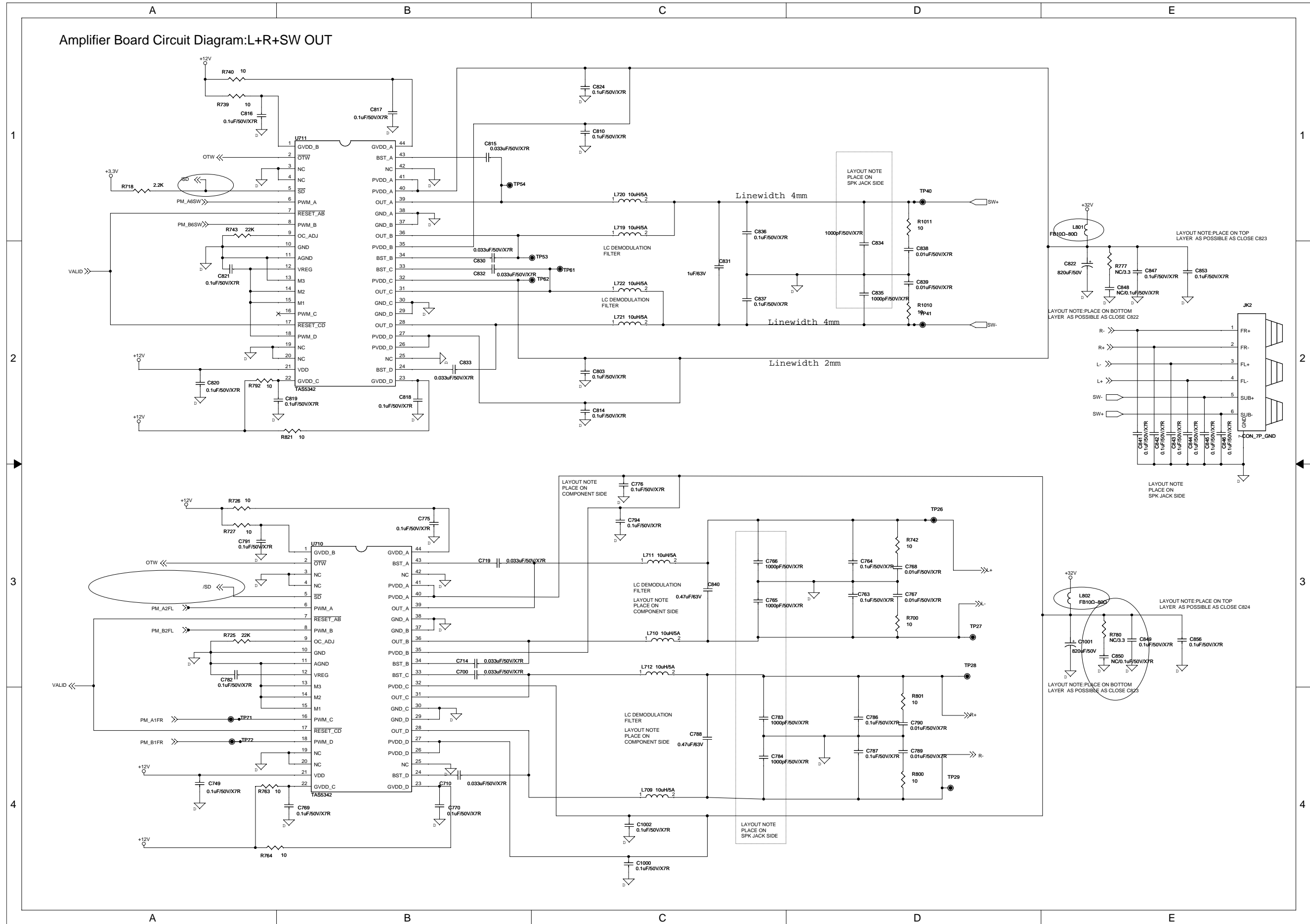
Front Control Board Circuit Diagram:



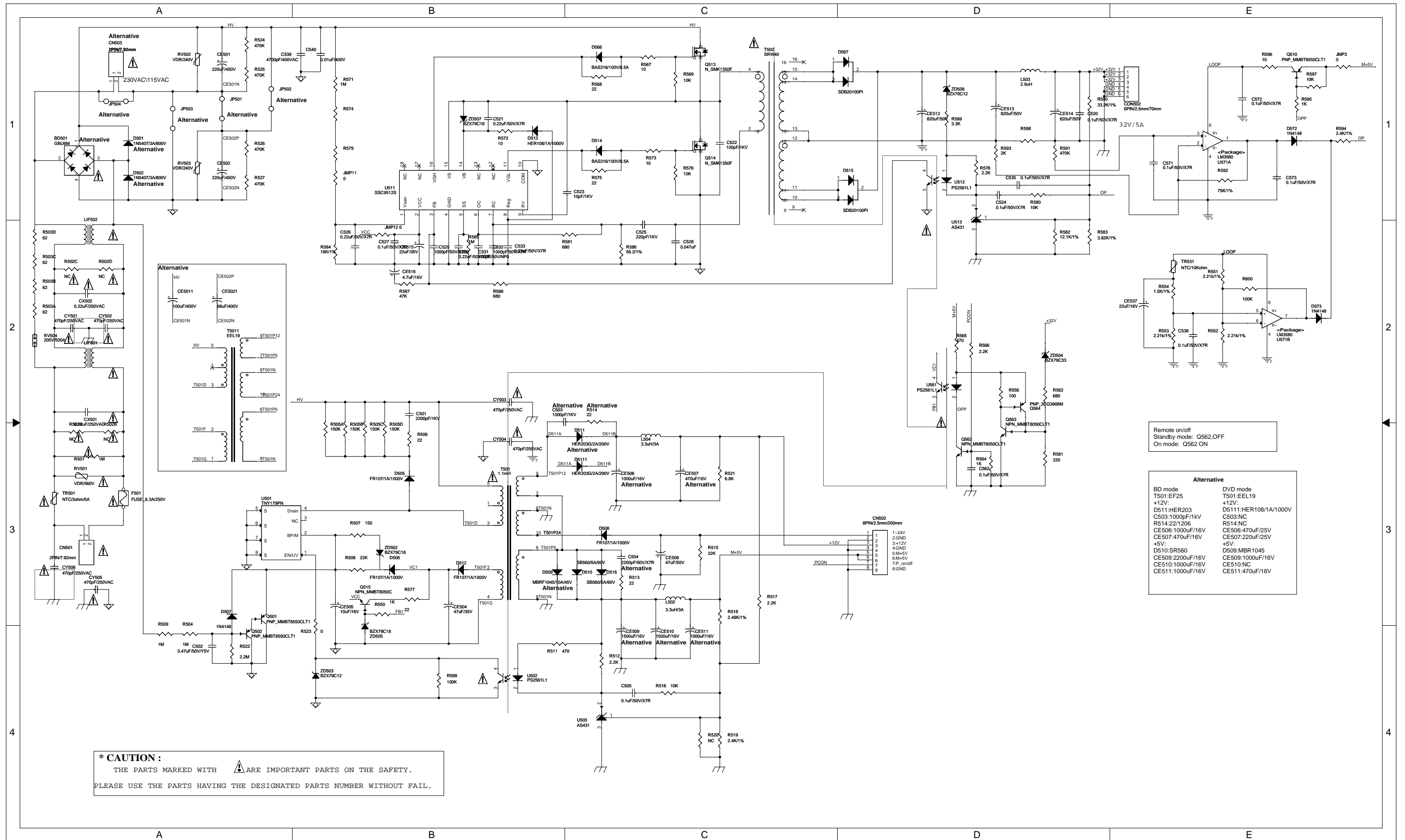
Touch board Circuit Diagram:



Amplifier Board Circuit Diagram:L+R+SW OUT



Power Board Circuit Diagram:

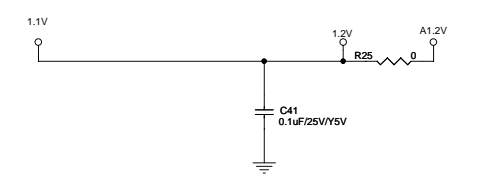
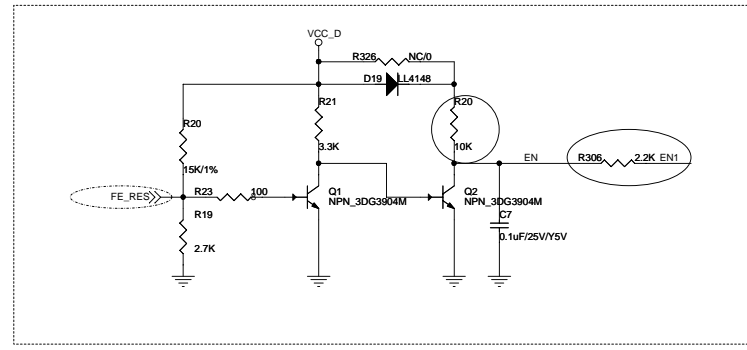
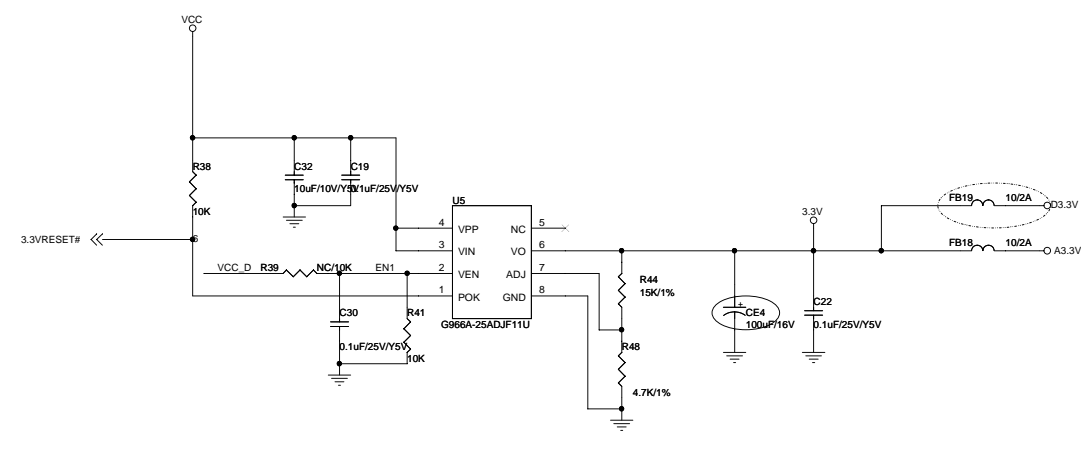
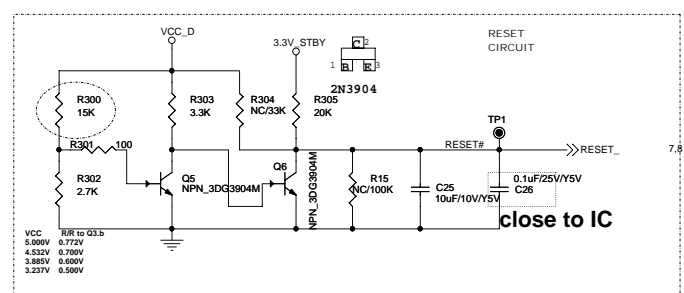
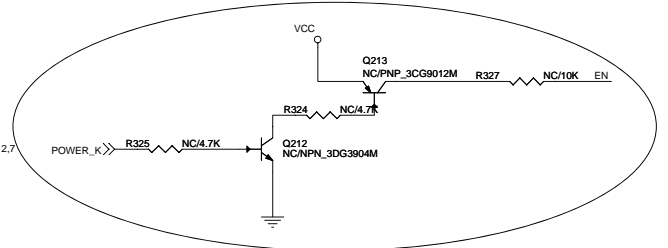
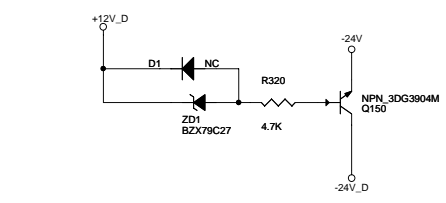
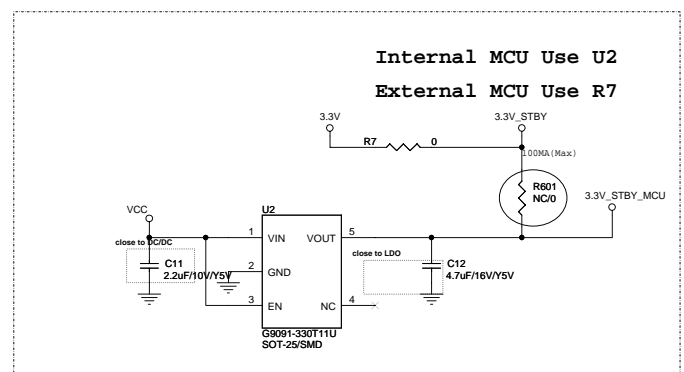
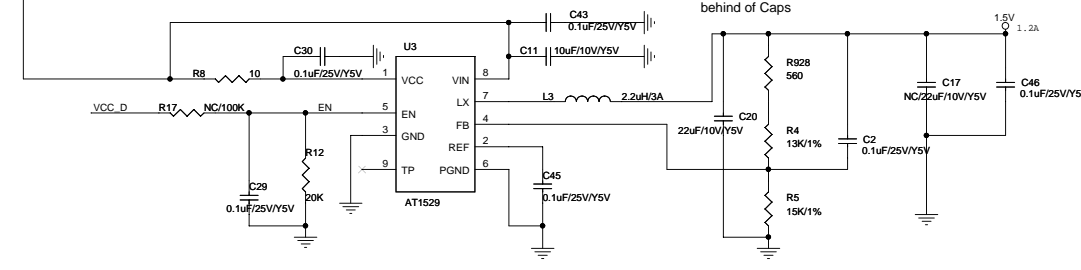
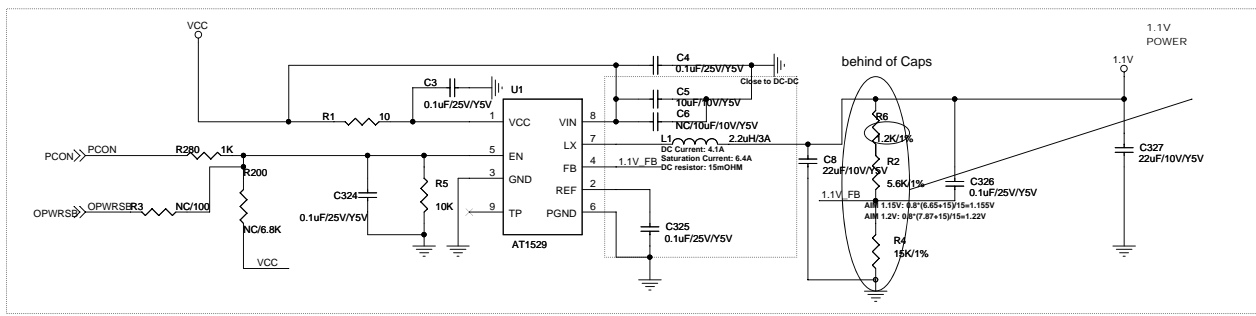
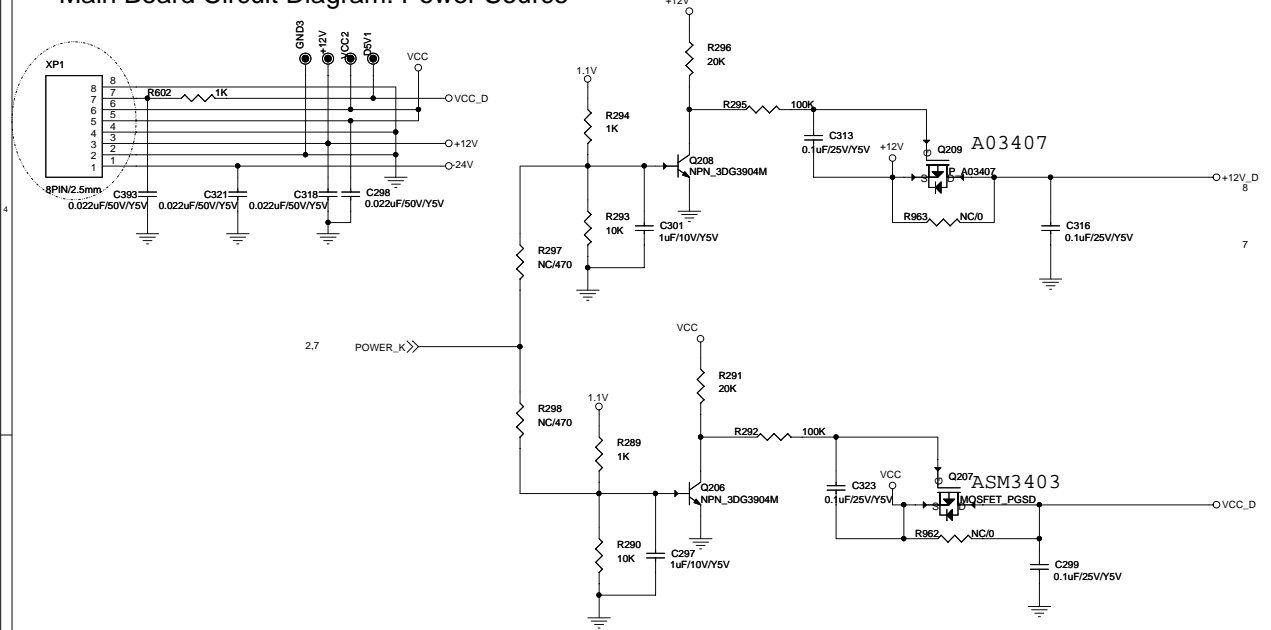


Remote on/off
Standby mode: Q562,OFF
On mode: Q562 ON

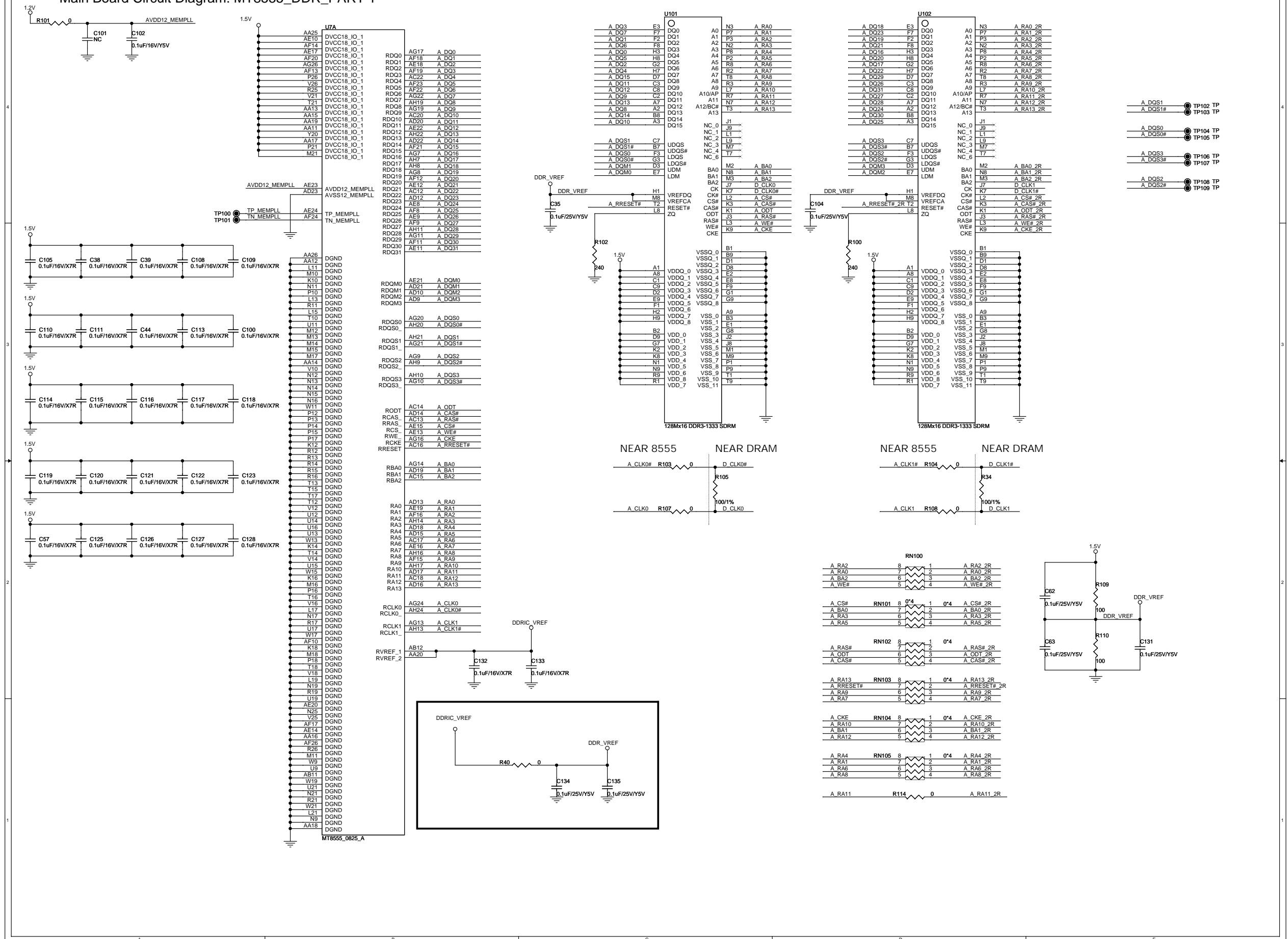
Alternative	
BD mode	DVD mode
T501:EF25	T501:EEL19
+12V:	+12V:
D511:HER203	D5111:HER108/1A/1000V
C503:1000pF/1kV	C503:NC
R514:22/1206	R514:NC
CE506:1000uF/16V	CE506:470uF/25V
CE507:470uF/16V	CE507:220uF/25V
+5V:	+5V:
D510:SR560	D509:MBR1045
CE509:2200uF/16V	CE509:1000uF/16V
CE510:1000uF/16V	CE510:NC
CE511:1000uF/16V	CE511:470uF/16V

*** CAUTION :**
THE PARTS MARKED WITH ARE IMPORTANT PARTS ON THE SAFETY.
PLEASE USE THE PARTS HAVING THE DESIGNATED PARTS NUMBER WITHOUT FAIL.

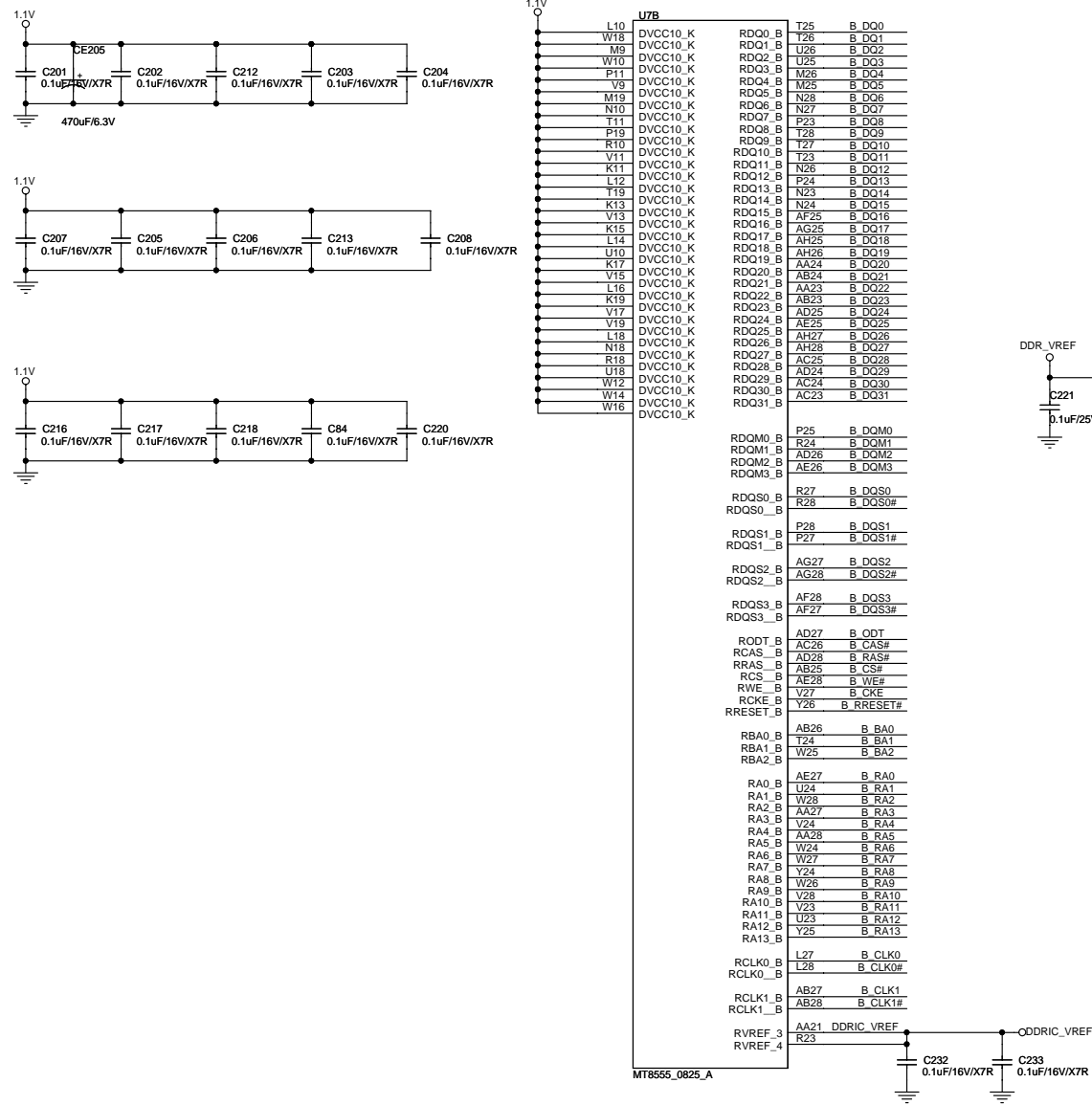
Main Board Circuit Diagram: Power Source



Main Board Circuit Diagram: MT8555_DDR_PART 1



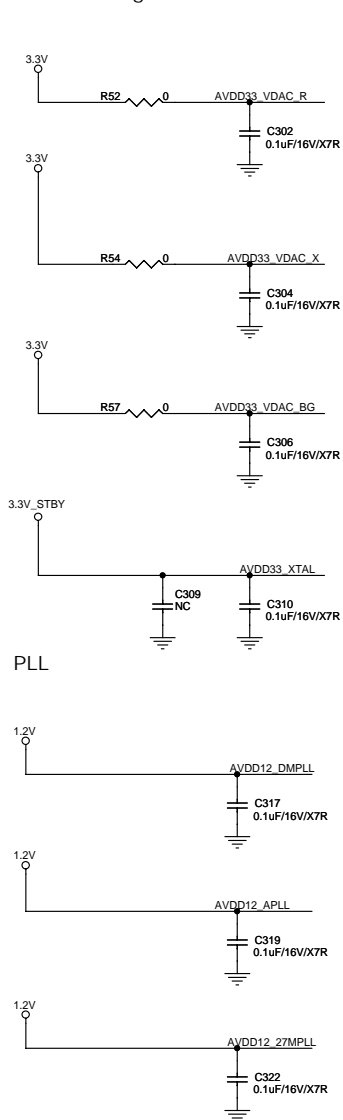
Main Board Circuit Diagram: MT8555_DDR_PART 2



U7B	U201	U202
L10	B DQ0	B DQ0
W18	B DQ1	B DQ1
M9	B DQ2	B DQ2
W10	B DQ3	B DQ3
P11	B DQ4	B DQ4
Y9	B DQ5	B DQ5
M19	B DQ6	B DQ6
N10	B DQ7	B DQ7
T11	B DQ8	B DQ8
P19	B DQ9	B DQ9
R10	B DQ10	B DQ10
V11	B DQ11	B DQ11
K11	B DQ12	B DQ12
L12	B DQ13	B DQ13
T19	B DQ14	B DQ14
K13	B DQ15	B DQ15
R15	B DQ16	B DQ16
L14	B DQ17	B DQ17
W13	B DQ18	B DQ18
K17	B DQ19	B DQ19
V15	B DQ20	B DQ20
L16	B DQ21	B DQ21
K19	B DQ22	B DQ22
V17	B DQ23	B DQ23
V19	B DQ24	B DQ24
L18	B DQ25	B DQ25
N18	B DQ26	B DQ26
R18	B DQ27	B DQ27
U18	B DQ28	B DQ28
W12	B DQ29	B DQ29
W14	B DQ30	B DQ30
W16	B DQ31	B DQ31
	B DQ32	B DQ32
	B DQ33	B DQ33
	B DQ34	B DQ34
	B DQ35	B DQ35
	B DQ36	B DQ36
	B DQ37	B DQ37
	B DQ38	B DQ38
	B DQ39	B DQ39
	B DQ40	B DQ40
	B DQ41	B DQ41
	B DQ42	B DQ42
	B DQ43	B DQ43
	B DQ44	B DQ44
	B DQ45	B DQ45
	B DQ46	B DQ46
	B DQ47	B DQ47
	B DQ48	B DQ48
	B DQ49	B DQ49
	B DQ50	B DQ50
	B DQ51	B DQ51
	B DQ52	B DQ52
	B DQ53	B DQ53
	B DQ54	B DQ54
	B DQ55	B DQ55
	B DQ56	B DQ56
	B DQ57	B DQ57
	B DQ58	B DQ58
	B DQ59	B DQ59
	B DQ60	B DQ60
	B DQ61	B DQ61
	B DQ62	B DQ62
	B DQ63	B DQ63
	B DQ64	B DQ64
	B DQ65	B DQ65
	B DQ66	B DQ66
	B DQ67	B DQ67
	B DQ68	B DQ68
	B DQ69	B DQ69
	B DQ70	B DQ70
	B DQ71	B DQ71
	B DQ72	B DQ72
	B DQ73	B DQ73
	B DQ74	B DQ74
	B DQ75	B DQ75
	B DQ76	B DQ76
	B DQ77	B DQ77
	B DQ78	B DQ78
	B DQ79	B DQ79
	B DQ80	B DQ80
	B DQ81	B DQ81
	B DQ82	B DQ82
	B DQ83	B DQ83
	B DQ84	B DQ84
	B DQ85	B DQ85
	B DQ86	B DQ86
	B DQ87	B DQ87
	B DQ88	B DQ88
	B DQ89	B DQ89
	B DQ90	B DQ90
	B DQ91	B DQ91
	B DQ92	B DQ92
	B DQ93	B DQ93
	B DQ94	B DQ94
	B DQ95	B DQ95
	B DQ96	B DQ96
	B DQ97	B DQ97
	B DQ98	B DQ98
	B DQ99	B DQ99
	B DQ100	B DQ100
	B DQ101	B DQ101
	B DQ102	B DQ102
	B DQ103	B DQ103
	B DQ104	B DQ104
	B DQ105	B DQ105
	B DQ106	B DQ106
	B DQ107	B DQ107
	B DQ108	B DQ108
	B DQ109	B DQ109
	B DQ110	B DQ110
	B DQ111	B DQ111
	B DQ112	B DQ112
	B DQ113	B DQ113
	B DQ114	B DQ114
	B DQ115	B DQ115
	B DQ116	B DQ116
	B DQ117	B DQ117
	B DQ118	B DQ118
	B DQ119	B DQ119
	B DQ120	B DQ120
	B DQ121	B DQ121
	B DQ122	B DQ122
	B DQ123	B DQ123
	B DQ124	B DQ124
	B DQ125	B DQ125
	B DQ126	B DQ126
	B DQ127	B DQ127
	B DQ128	B DQ128
	B DQ129	B DQ129
	B DQ130	B DQ130
	B DQ131	B DQ131
	B DQ132	B DQ132
	B DQ133	B DQ133
	B DQ134	B DQ134
	B DQ135	B DQ135
	B DQ136	B DQ136
	B DQ137	B DQ137
	B DQ138	B DQ138
	B DQ139	B DQ139
	B DQ140	B DQ140
	B DQ141	B DQ141
	B DQ142	B DQ142
	B DQ143	B DQ143
	B DQ144	B DQ144
	B DQ145	B DQ145
	B DQ146	B DQ146
	B DQ147	B DQ147
	B DQ148	B DQ148
	B DQ149	B DQ149
	B DQ150	B DQ150
	B DQ151	B DQ151
	B DQ152	B DQ152
	B DQ153	B DQ153
	B DQ154	B DQ154
	B DQ155	B DQ155
	B DQ156	B DQ156
	B DQ157	B DQ157
	B DQ158	B DQ158
	B DQ159	B DQ159
	B DQ160	B DQ160
	B DQ161	B DQ161
	B DQ162	B DQ162
	B DQ163	B DQ163
	B DQ164	B DQ164
	B DQ165	B DQ165
	B DQ166	B DQ166
	B DQ167	B DQ167
	B DQ168	B DQ168
	B DQ169	B DQ169
	B DQ170	B DQ170
	B DQ171	B DQ171
	B DQ172	B DQ172
	B DQ173	B DQ173
	B DQ174	B DQ174
	B DQ175	B DQ175
	B DQ176	B DQ176
	B DQ177	B DQ177
	B DQ178	B DQ178
	B DQ179	B DQ179
	B DQ180	B DQ180
	B DQ181	B DQ181
	B DQ182	B DQ182
	B DQ183	B DQ183
	B DQ184	B DQ184
	B DQ185	B DQ185
	B DQ186	B DQ186
	B DQ187	B DQ187
	B DQ188	B DQ188
	B DQ189	B DQ189
	B DQ190	B DQ190
	B DQ191	B DQ191
	B DQ192	B DQ192
	B DQ193	B DQ193
	B DQ194	B DQ194
	B DQ195	B DQ195
	B DQ196	B DQ196
	B DQ197	B DQ197
	B DQ198	B DQ198
	B DQ199	B DQ199
	B DQ200	B DQ200
	B DQ201	B DQ201
	B DQ202	B DQ202
	B DQ203	B DQ203
	B DQ204	B DQ204
	B DQ205	B DQ205
	B DQ206	B DQ206
	B DQ207	B DQ207
	B DQ208	B DQ208
	B DQ209	B DQ209
	B DQ210	B DQ210
	B DQ211	B DQ211
	B DQ212	B DQ212
	B DQ213	B DQ213
	B DQ214	B DQ214
	B DQ215	B DQ215
	B DQ216	B DQ216
	B DQ217	B DQ217
	B DQ218	B DQ218
	B DQ219	B DQ219
	B DQ220	B DQ220
	B DQ221	B DQ221
	B DQ222	B DQ222
	B DQ223	B DQ223
	B DQ224	B DQ224
	B DQ225	B DQ225
	B DQ226	B DQ226
	B DQ227	B DQ227
	B DQ228	B DQ228
	B DQ229	B DQ229
	B DQ230	B DQ230
	B DQ231	B DQ231
	B DQ232	B DQ232
	B DQ233	B DQ233
	B DQ234	B DQ234
	B DQ235	B DQ235
	B DQ236	B DQ236
	B DQ237	B DQ237
	B DQ238	B DQ238
	B DQ239	B DQ239
	B DQ240	B DQ240
	B DQ241	B DQ241
	B DQ242	B DQ242
	B DQ243	B DQ243
	B DQ244	B DQ244
	B DQ245	B DQ245
	B DQ246	B DQ246
	B DQ247	B DQ247
	B DQ248	B DQ248
	B DQ249	B DQ249
	B DQ250	B DQ250
	B DQ251	B DQ251
	B DQ252	B DQ252
	B DQ253	B DQ253
	B DQ254	B DQ254
	B DQ255	B DQ255
	B DQ256	B DQ256
	B DQ257	B DQ257
	B DQ258	B DQ258
	B DQ259	B DQ259
	B DQ260	B DQ260
	B DQ261	B DQ261
	B DQ262	B DQ262
	B DQ263	B DQ263
	B DQ264	B DQ264
	B DQ265	B DQ265
	B DQ266	B DQ266
	B DQ267	B DQ267
	B DQ268	B DQ268
	B DQ269	B DQ269
	B DQ270	B DQ270
	B DQ271	B DQ271
	B DQ272	B DQ272
	B DQ273	B DQ273
	B DQ274	B DQ274
	B DQ275	B DQ275
	B DQ276	B DQ276
	B DQ277	B DQ277
	B DQ278	B DQ278
	B DQ279	B DQ279
	B DQ280	B DQ280
	B DQ281	B DQ281
	B DQ282	B DQ282
	B DQ283	B DQ283
	B DQ284	B DQ284
	B DQ285	B DQ285
	B DQ286	B DQ286
	B DQ287	B DQ287
	B DQ288	B DQ288
	B DQ289	B DQ289
	B DQ290	B DQ290
	B DQ291	B DQ291
	B DQ292	B DQ292
	B DQ293	B DQ293
	B DQ294	B DQ294
	B DQ295	B DQ295
	B DQ296	B DQ296
	B DQ297	B DQ297
	B DQ298	B DQ298
	B DQ299	B DQ299
	B DQ300	B DQ300
	B DQ301	B DQ301
	B DQ302	B DQ302
	B DQ303	B DQ303
	B DQ304	B DQ304
	B DQ305	B DQ305
	B DQ306	B DQ306
	B DQ307	B DQ307
	B DQ308	B DQ308
	B DQ309	B DQ309
	B DQ310	B DQ310
	B DQ311	B DQ311
	B DQ312	B DQ312
	B DQ313	B DQ313
	B DQ314	B DQ314
	B DQ315	B DQ315
	B DQ316	B DQ316
	B DQ317	B DQ317
	B DQ318	B DQ318
	B DQ319	B DQ319
	B DQ320	B DQ320
	B DQ321	B DQ321
	B DQ322	B DQ322
	B DQ323	B DQ323
	B DQ324	B DQ324
	B DQ325	B DQ325
	B DQ326	B DQ326
	B DQ327	B DQ327
	B DQ328	B DQ328
	B DQ329	B DQ329
	B DQ330	B DQ330
	B DQ331	B DQ331
	B DQ332	B DQ332
	B DQ333	B DQ333
	B DQ334	B DQ334
	B DQ335	B DQ335
	B DQ336	B DQ336
	B DQ337	B DQ337
	B DQ338	B DQ338
	B DQ339	B DQ339
	B DQ340	B DQ340
	B DQ341	B DQ341
	B DQ342	B DQ342
	B DQ343	B DQ343
	B DQ344	B DQ344
	B DQ345	B DQ345
	B DQ346	B DQ346
	B DQ347	B DQ347
	B DQ348	B DQ348
	B DQ349	B DQ349
	B DQ350	B DQ350
	B DQ351	B DQ351
	B DQ352	B DQ352
	B DQ353	B DQ353
	B DQ354	B DQ354
	B DQ355	B DQ355
	B DQ356	B DQ356
	B DQ357	B DQ357
	B DQ358	B DQ358
	B DQ359	B DQ359
	B DQ360	B DQ360
	B DQ361	B DQ361
	B DQ362	B DQ362
	B DQ363	B DQ363
	B DQ364	B DQ364
	B DQ365	B DQ365
	B DQ366	B DQ366
	B DQ367	B DQ367
	B DQ368	B DQ368
	B DQ369	B DQ369
	B DQ370	B DQ370
	B DQ371	B DQ371
	B DQ372	B DQ372
	B DQ373	B DQ373
	B DQ374	B DQ374
	B DQ375	B DQ375
	B DQ376	B DQ376
	B DQ377	B DQ377
	B DQ378	B DQ378
	B DQ379	B DQ379
	B DQ380	B DQ380
	B DQ381	B DQ381
	B DQ382	B DQ382
	B DQ383	B DQ383
	B DQ384	B DQ384
	B DQ385	B DQ385
	B DQ386	B DQ386
	B DQ387	B DQ387
	B DQ388	B DQ388
	B DQ389	B DQ389
	B DQ390	B DQ390
	B DQ391	B DQ391
	B DQ392	B DQ392
	B DQ393	B DQ393
	B DQ394	B DQ394
	B DQ395	B DQ395
	B DQ396	B DQ396
	B DQ397	B DQ397
	B DQ398	B DQ398
	B DQ399	B DQ399
	B DQ400	B DQ400
	B DQ401	B DQ401
	B DQ402	B DQ402
	B DQ403	B DQ403
	B DQ404	B DQ404
	B DQ405	B DQ405
	B DQ406	B DQ406
	B DQ407	B DQ407
	B DQ408	B DQ408
	B DQ409	B DQ409
	B DQ410	B DQ410
	B DQ411	B DQ411
	B DQ412	B DQ412
	B DQ413	B DQ413
	B DQ414	B DQ414

Main Board Circuit Diagram: MT8555_HDMI_OUTPUT

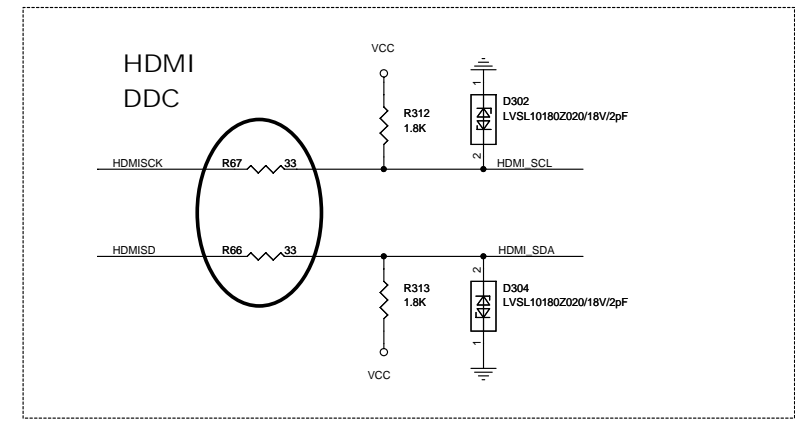
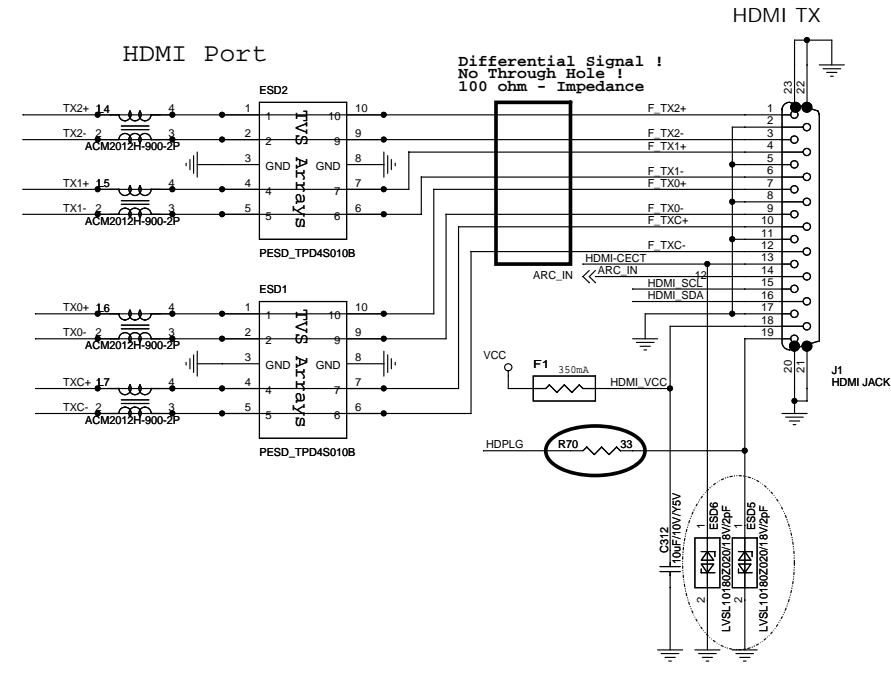
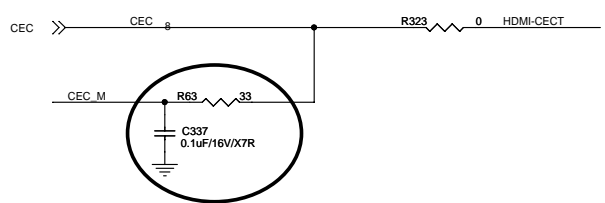
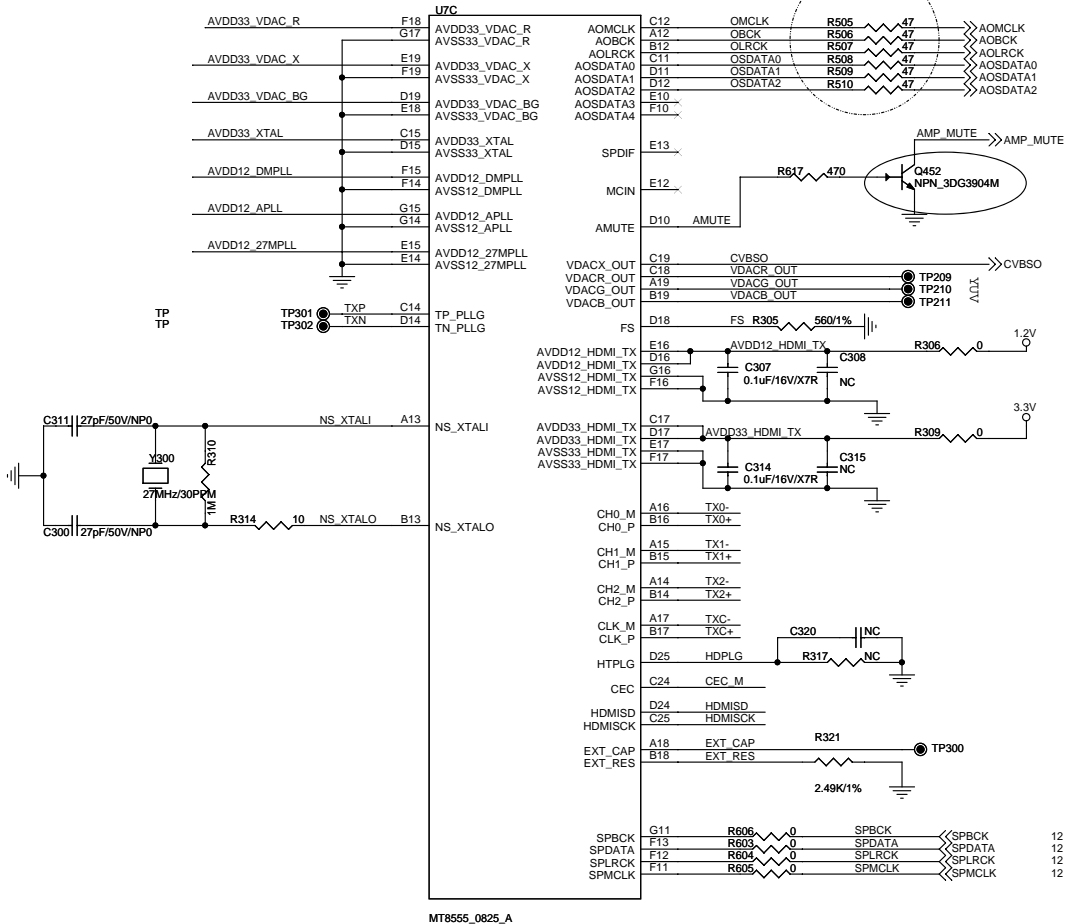
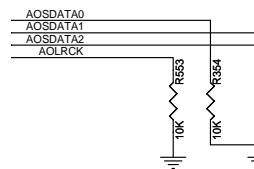
3.3V Analog Power



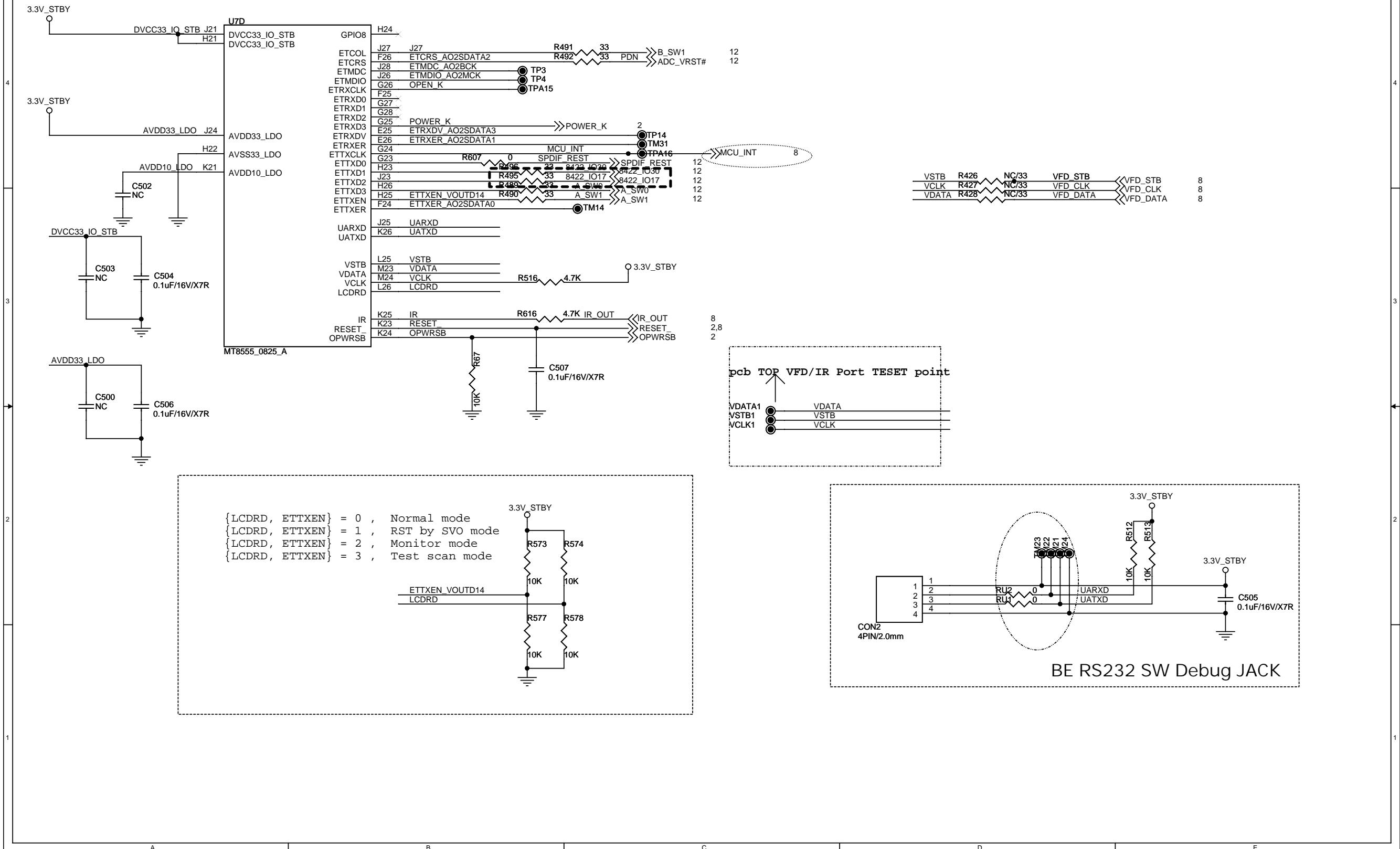
PLL

For PLL testing

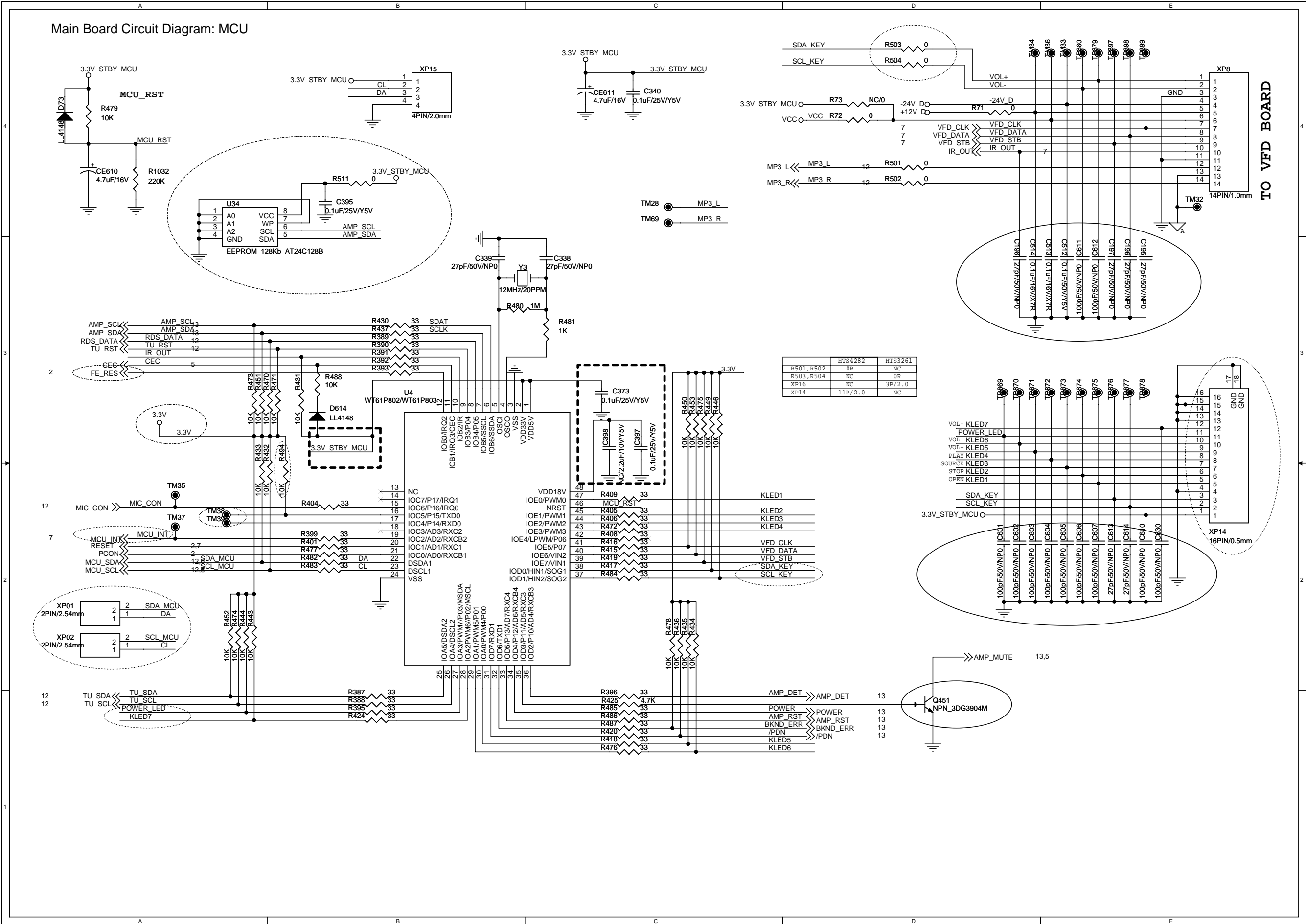
Reserved hardware trap



Main Board Circuit Diagram: MT8555-VFD/ IR



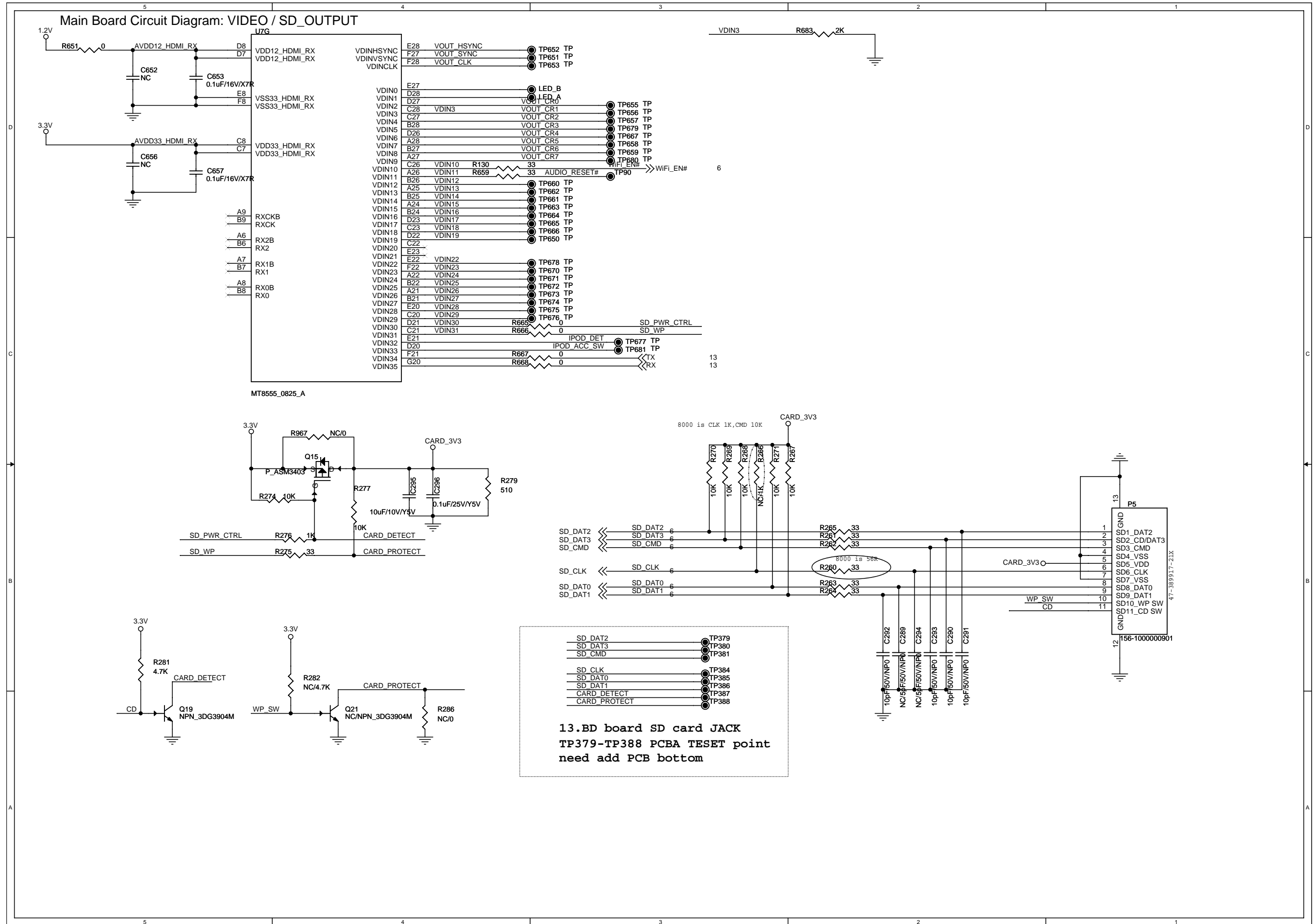
Main Board Circuit Diagram: MCU



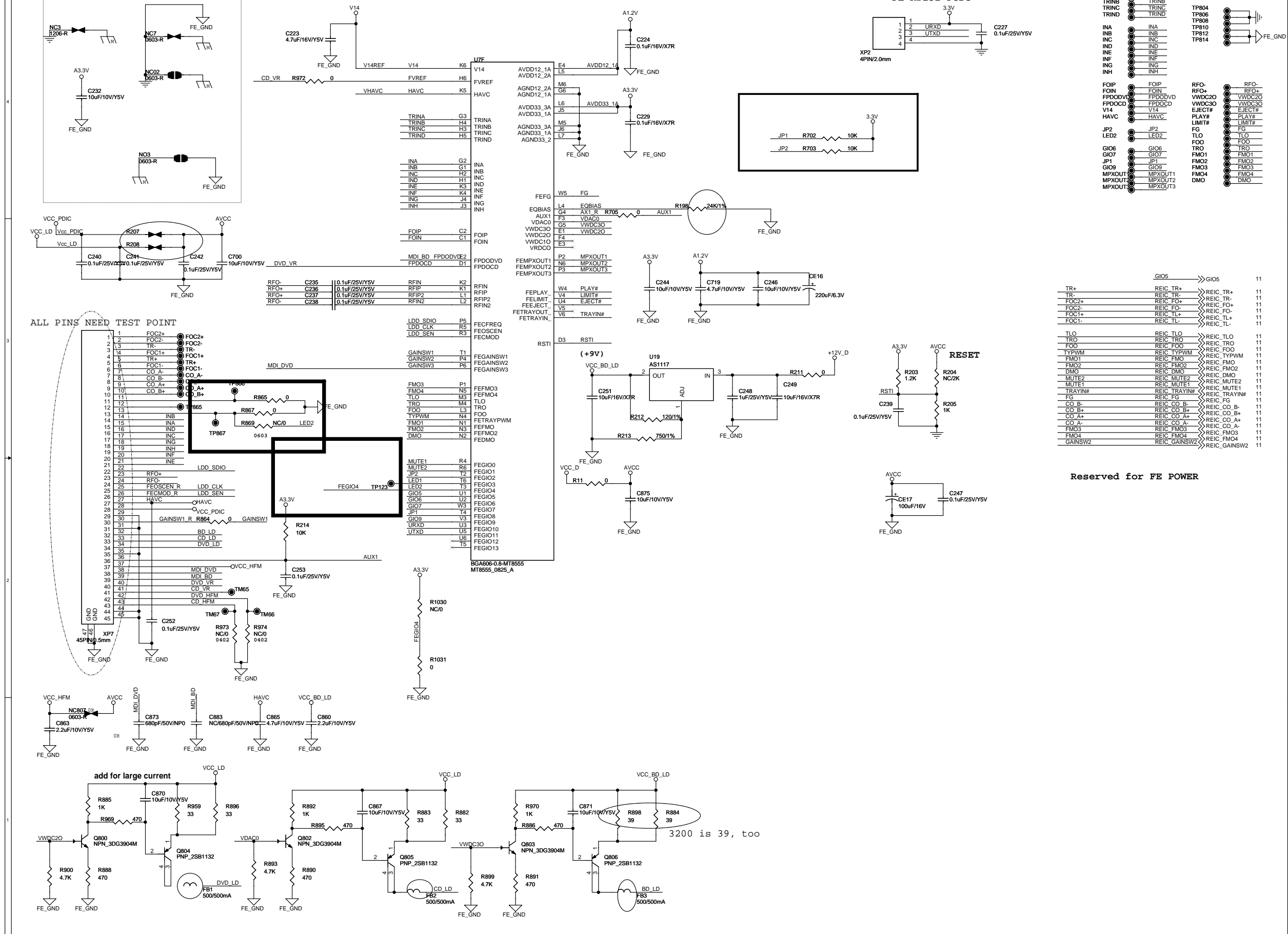
	HTS4282	HTS3261
R501, R502	OR	NC
R503, R504	NC	OR
XP16	NC	3P/2.0
XP14	11P/2.0	NC

TO VFD BOARD

TO VFD BOARD



Main Board Circuit Diagram: MT8555_FE

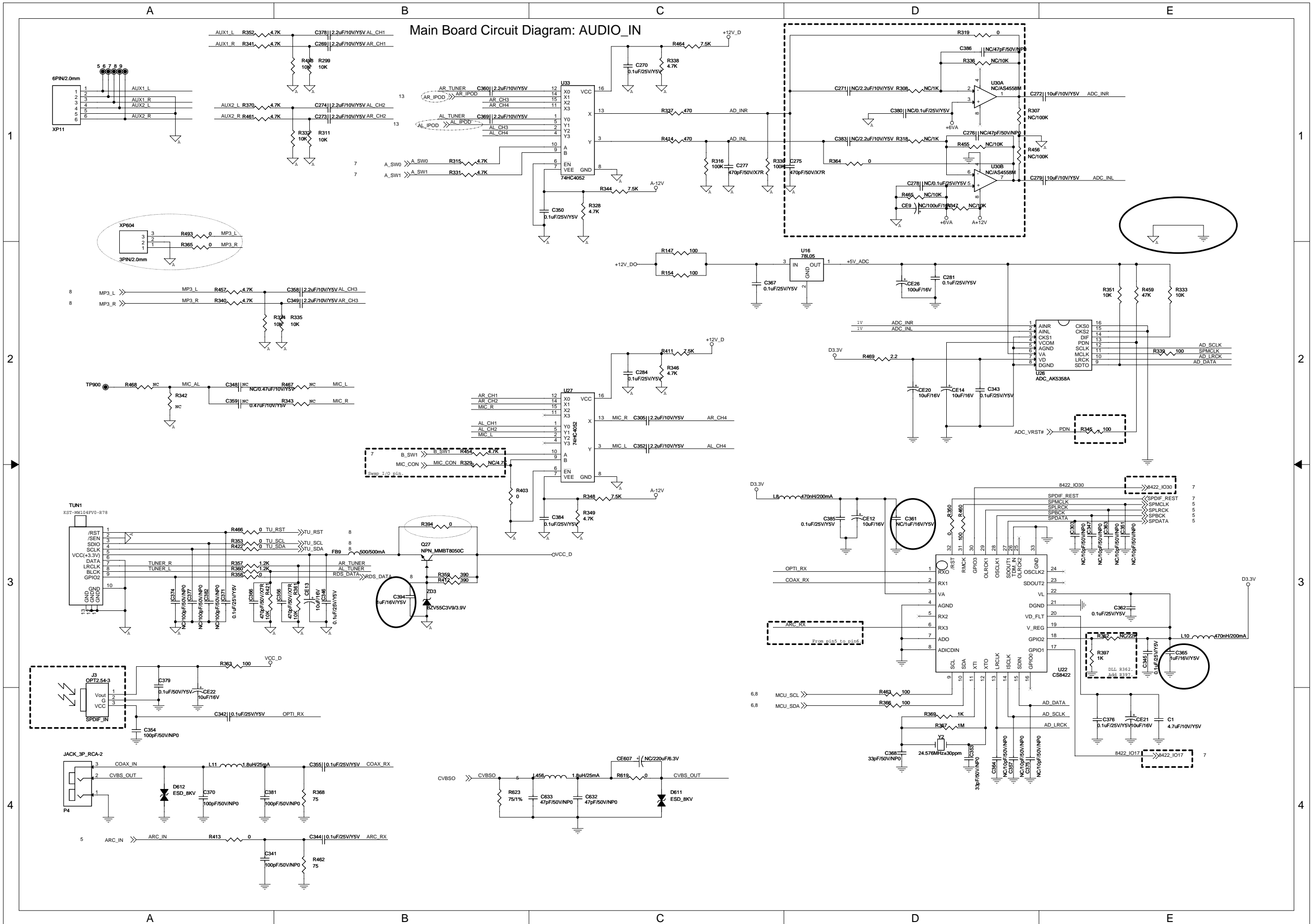


ALL PINS NEED TEST POINT

Reserved for FE POWER

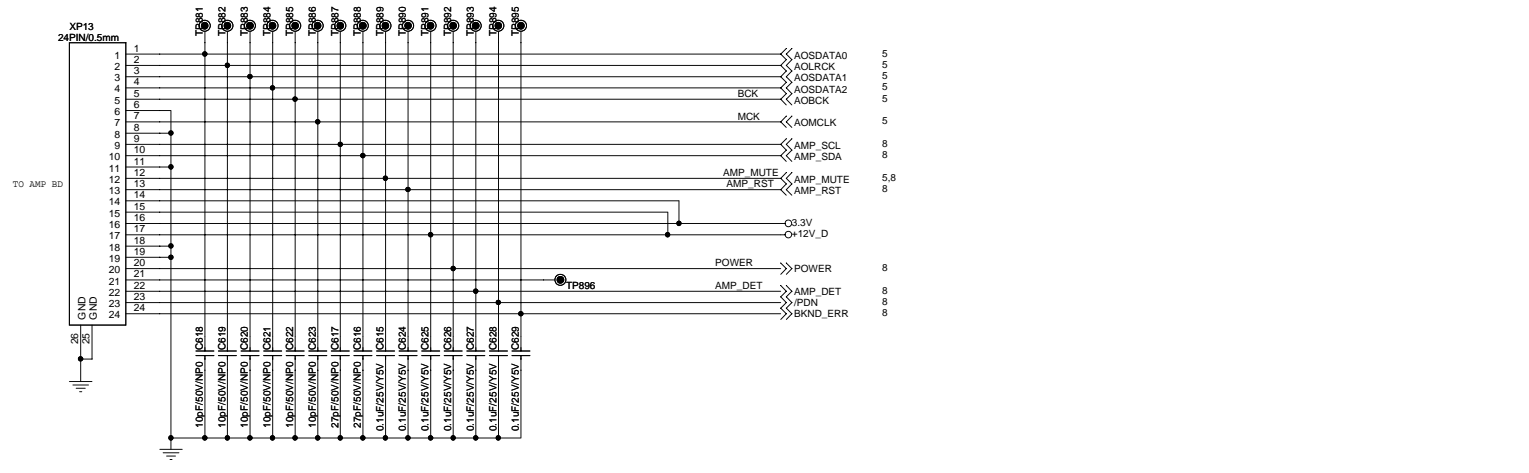
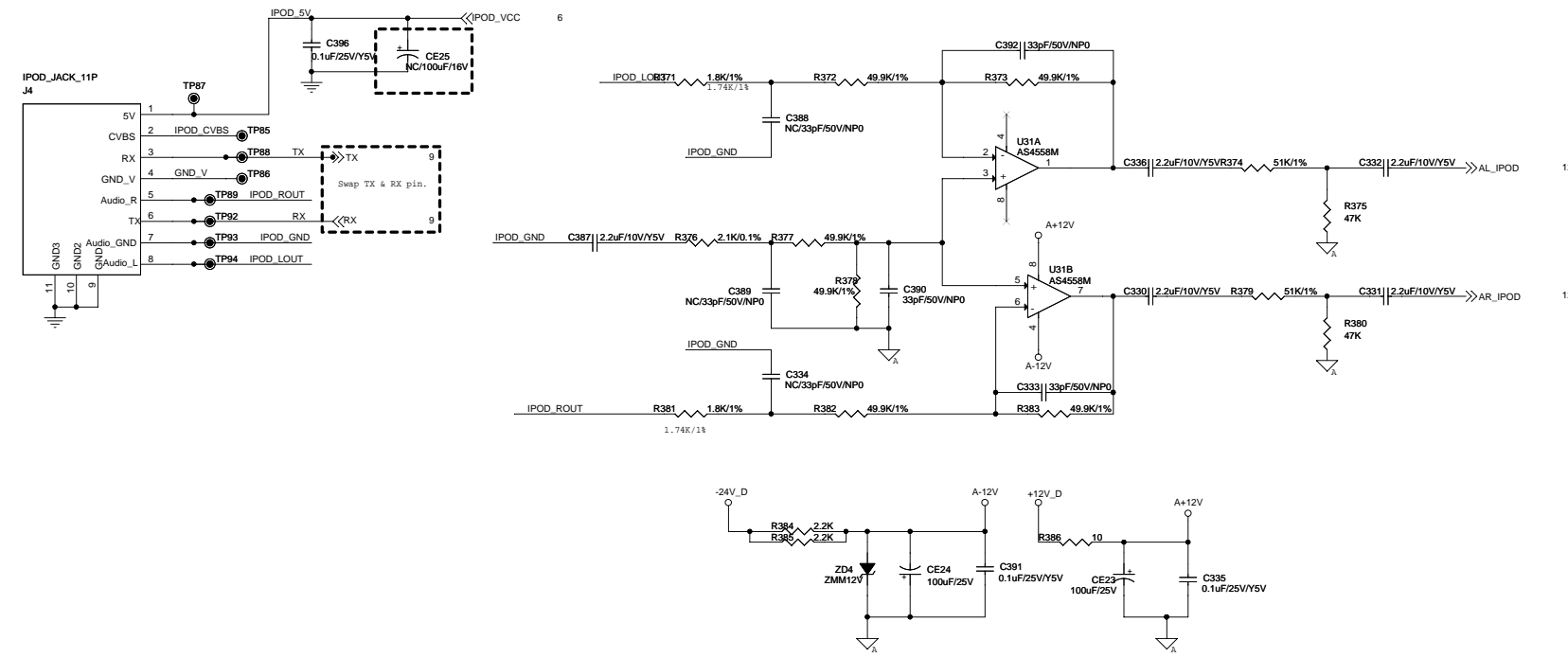
TRINA	TRINA	TP804	
TRINB	TRINB	TP806	
TRINC	TRINC	TP808	
TRIND	TRIND	TP810	
TRINE	TRINE	TP812	
TRINF	TRINF	TP814	
TRING	TRING		
TRINH	TRINH		
INA	INA		
INB	INB		
INC	INC		
IND	IND		
INE	INE		
INF	INF		
ING	ING		
INH	INH		
FOIP	FOIP		
FOIN	FOIN		
FPDODV	FPDODV		
FPDODD	FPDODD		
V14	V14		
HAVC	HAVC		
JP2	JP2		
LED2	LED2		
GPIO	GPIO		
GPIO7	GPIO7		
GPIO9	GPIO9		
MPXOUT	MPXOUT1		
MPXOUT	MPXOUT2		
MPXOUT	MPXOUT3		
RFO-	RFO-		
RFO+	RFO+		
VWDC20	VWDC20		
VWDC30	VWDC30		
EJECT#	EJECT#		
PLAY#	PLAY#		
LIMIT#	LIMIT#		
TLO	TLO		
FOO	FOO		
TRO	TRO		
FMO1	FMO1		
FMO2	FMO2		
FMO3	FMO3		
FMO4	FMO4		
DMO	DMO		
GPIO5	GPIO5	11	
TR+	REIC TR+	11	
TR-	REIC TR-	11	
FOC2+	REIC FO+	11	
FOC2-	REIC FO-	11	
FOC1+	REIC TL+	11	
FOC1-	REIC TL-	11	
TLO	REIC TLO	11	
TRO	REIC TRO	11	
FOO	REIC FOO	11	
TYPWM	REIC TYPWM	11	
FMO1	REIC FMO	11	
FMO2	REIC FMO2	11	
DMO	REIC DMO	11	
MUTE2	REIC MUTE2	11	
MUTE1	REIC MUTE1	11	
TRAYIN#	REIC TRAYIN#	11	
FG	REIC FG	11	
CO B-	REIC CO B-	11	
CO B+	REIC CO B+	11	
CO A+	REIC CO A+	11	
CO A-	REIC CO A-	11	
FMO3	REIC FMO3	11	
FMO4	REIC FMO4	11	
GAINSW2	REIC GAINSW2	11	

Main Board Circuit Diagram: AUDIO_IN

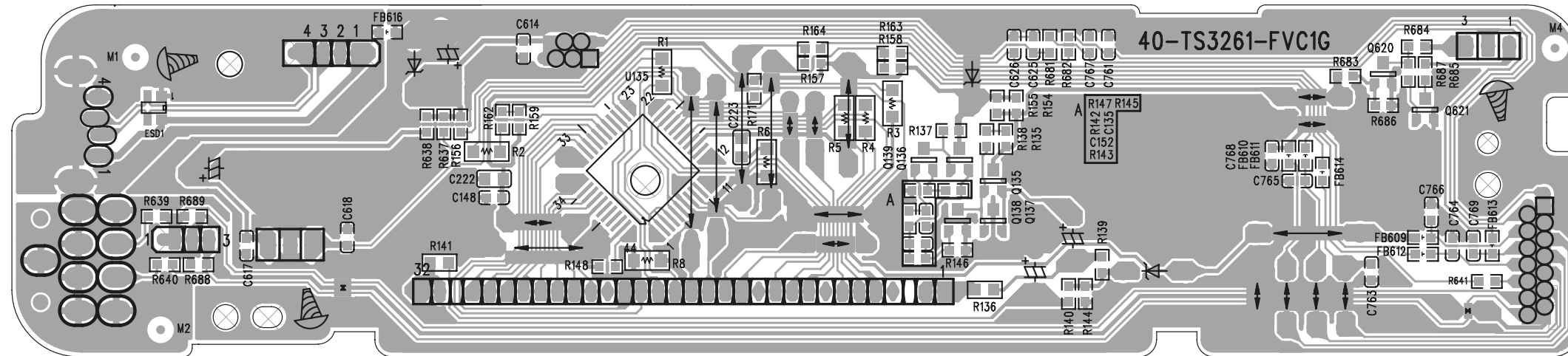


5 4 3 2 1

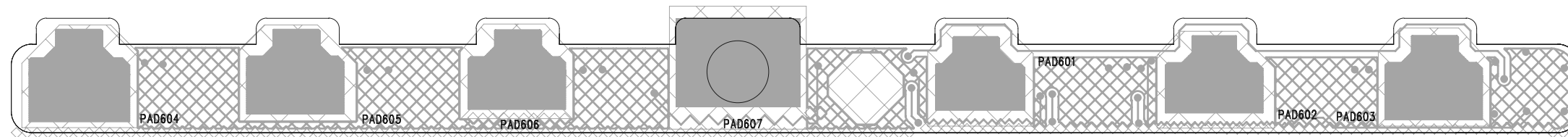
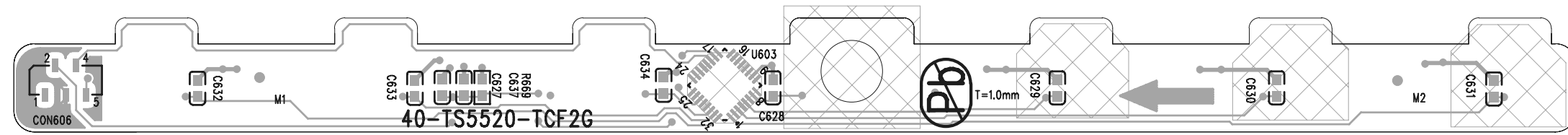
Main Board Circuit Diagram: IPOD_IN



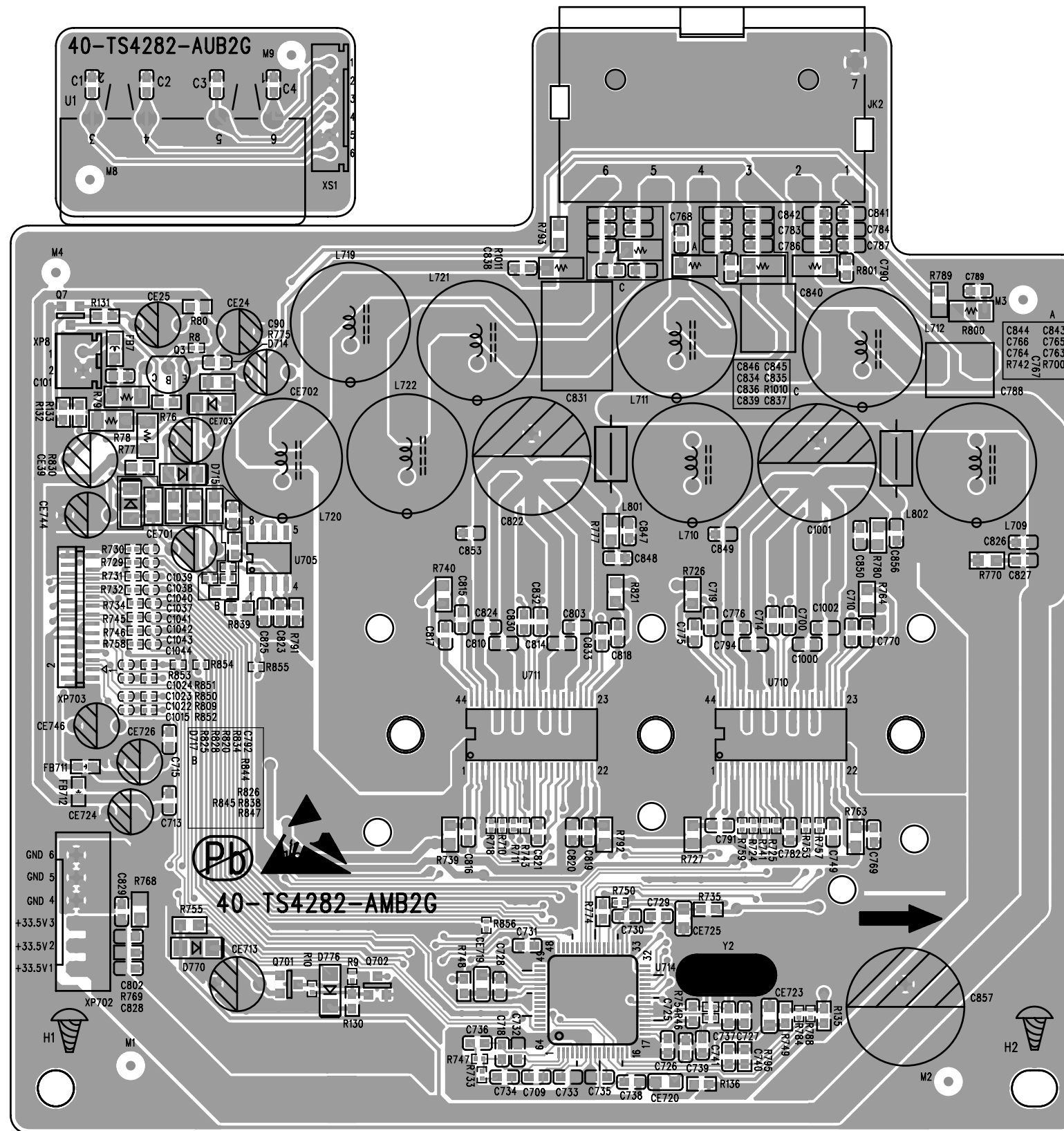
Front Control Board Print-layout (top side):



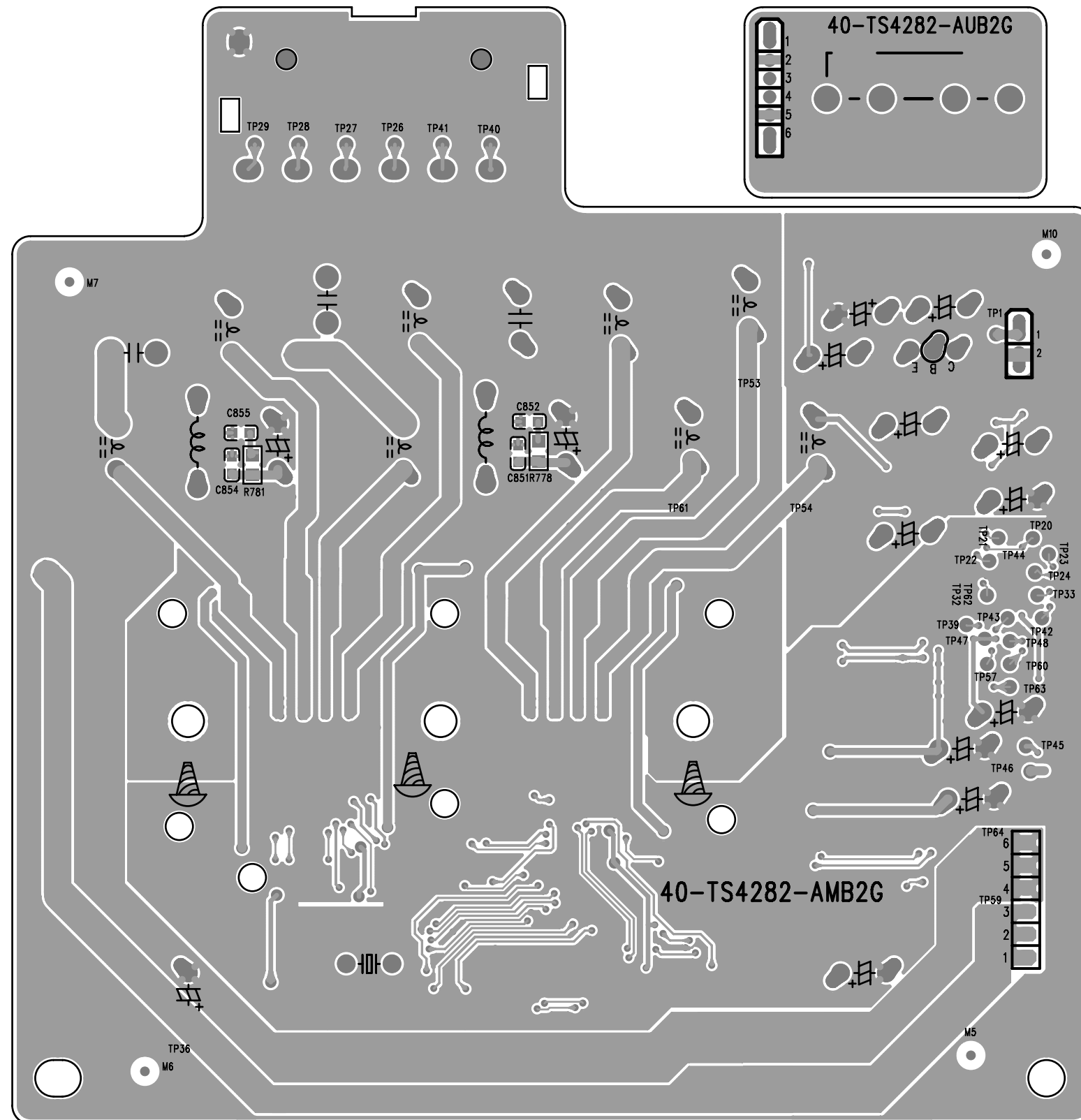
Touch Board Print-layout (top and bottom sides):



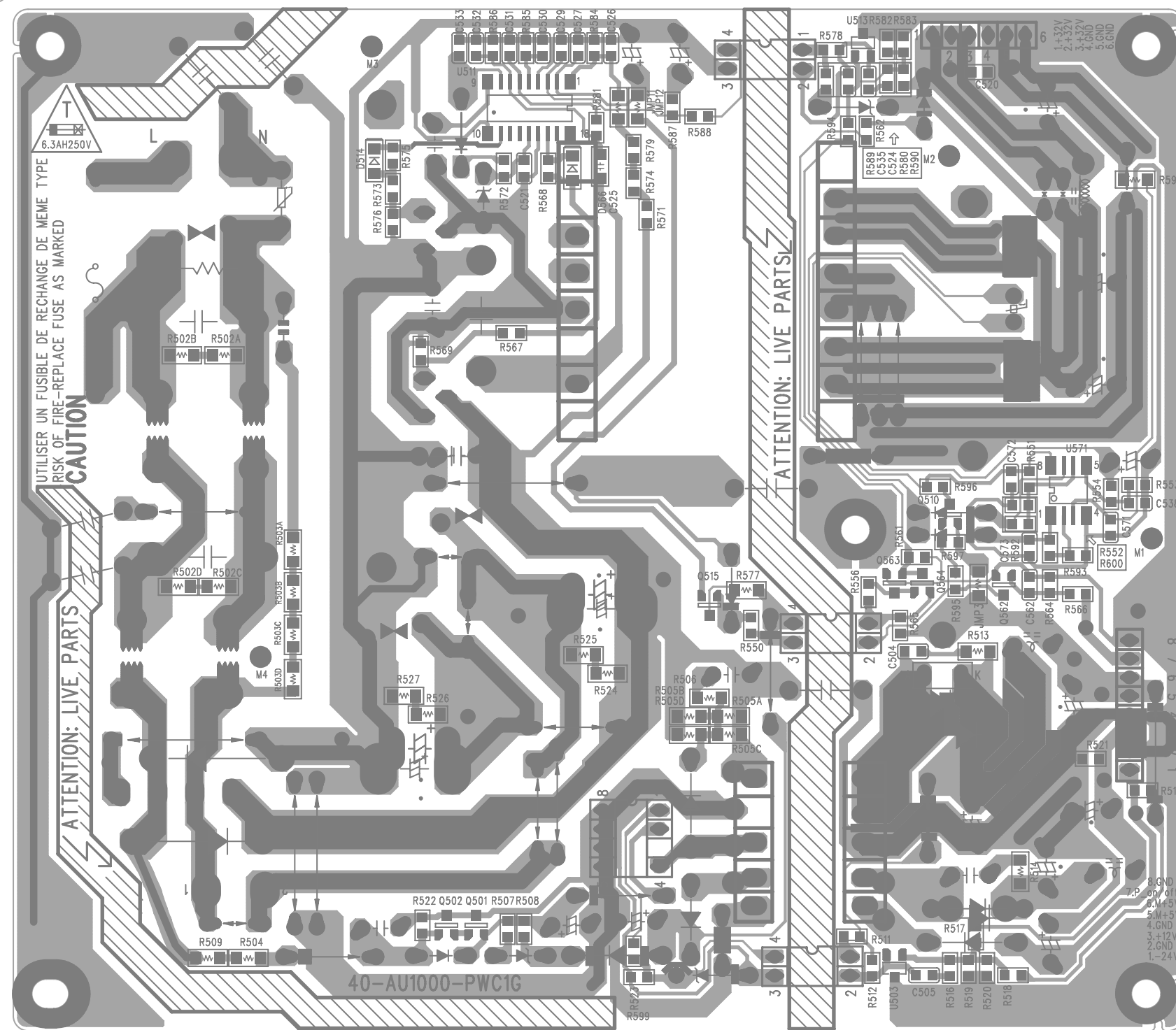
Amplifier Board and Aux Input Board Print-layout (top side):



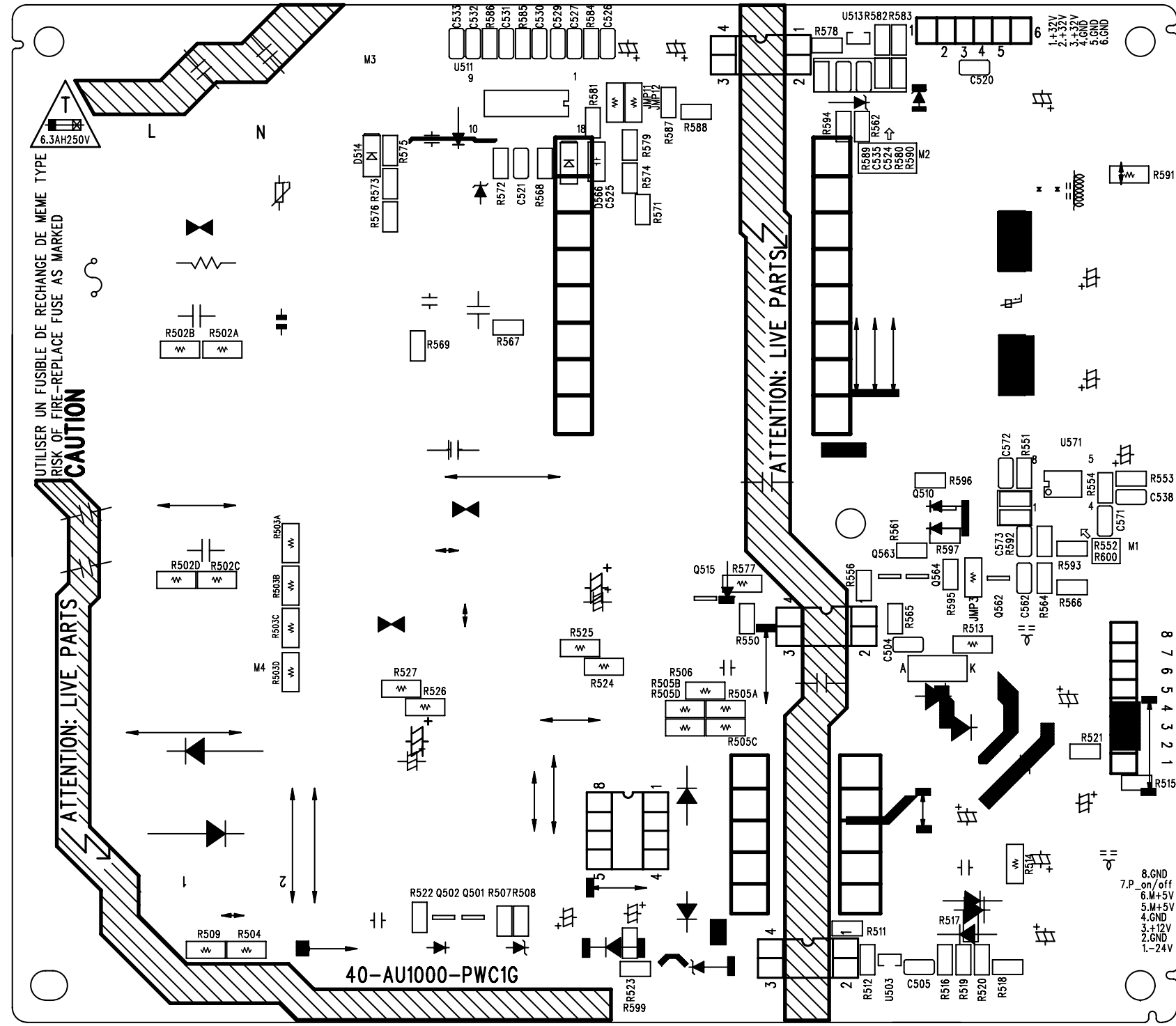
Amplifier Board and Aux Input Board Print-layout (bottom side):



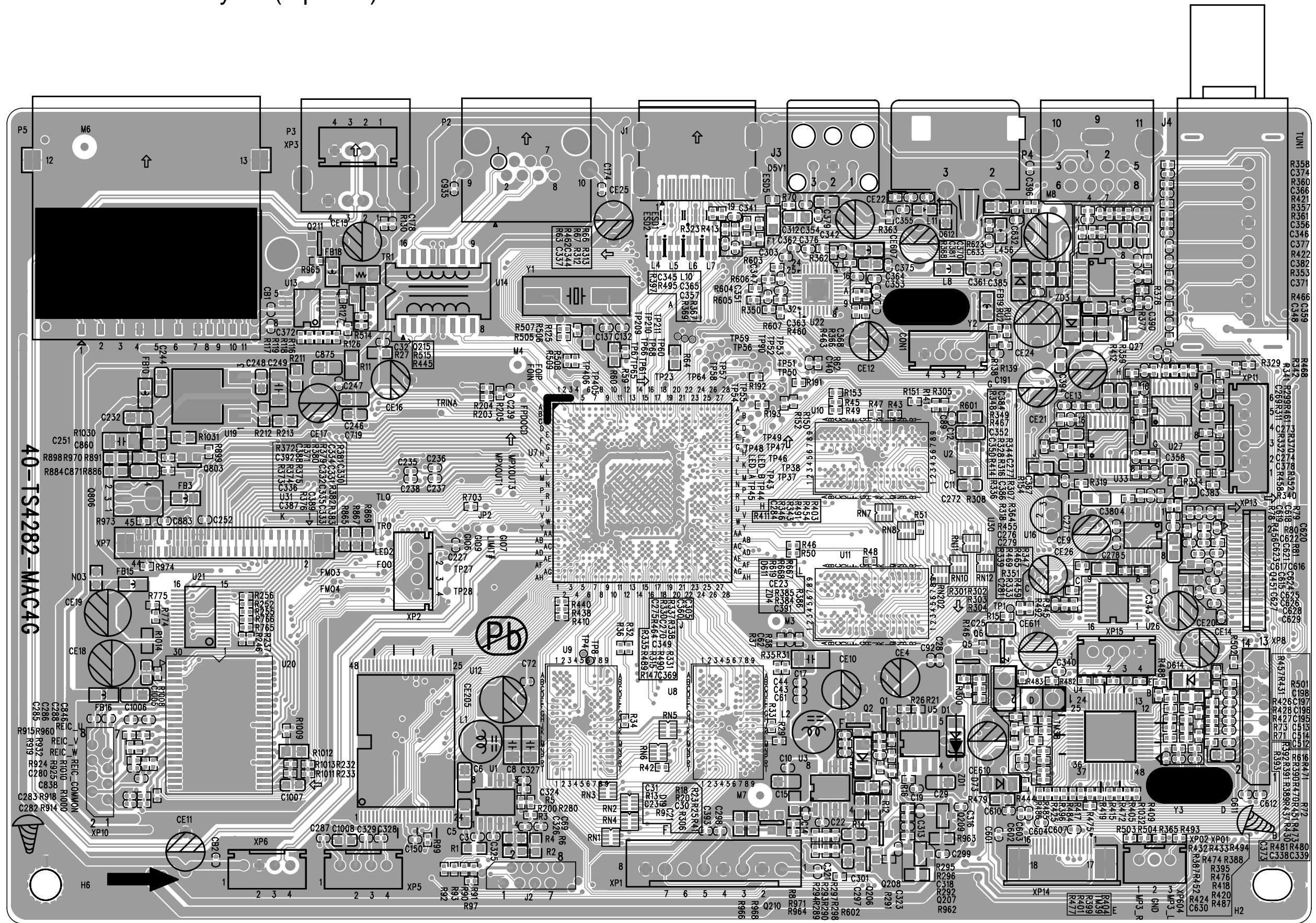
Power Supply Print-layout (top side):



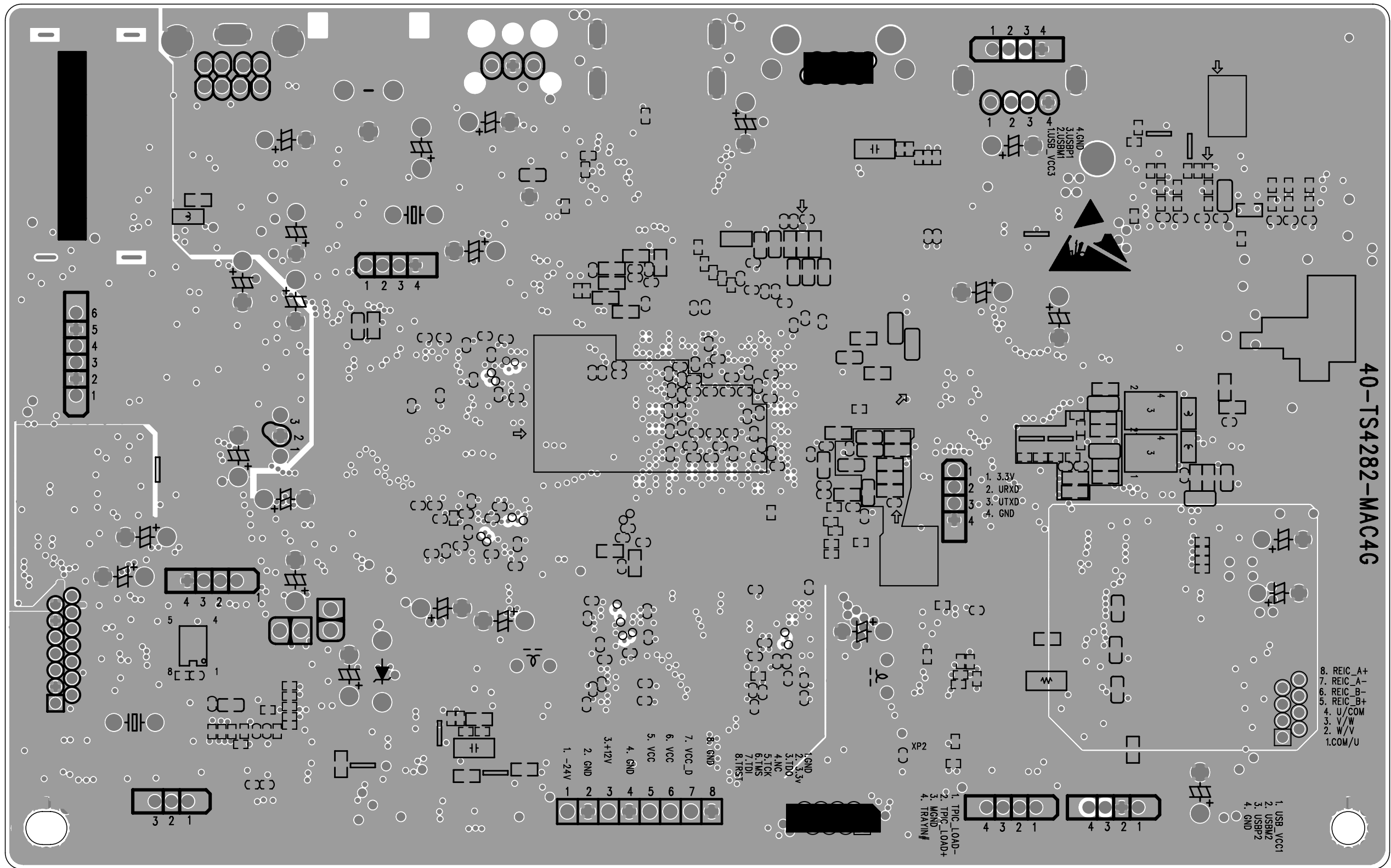
Power Supply Print-layout(bottom side):



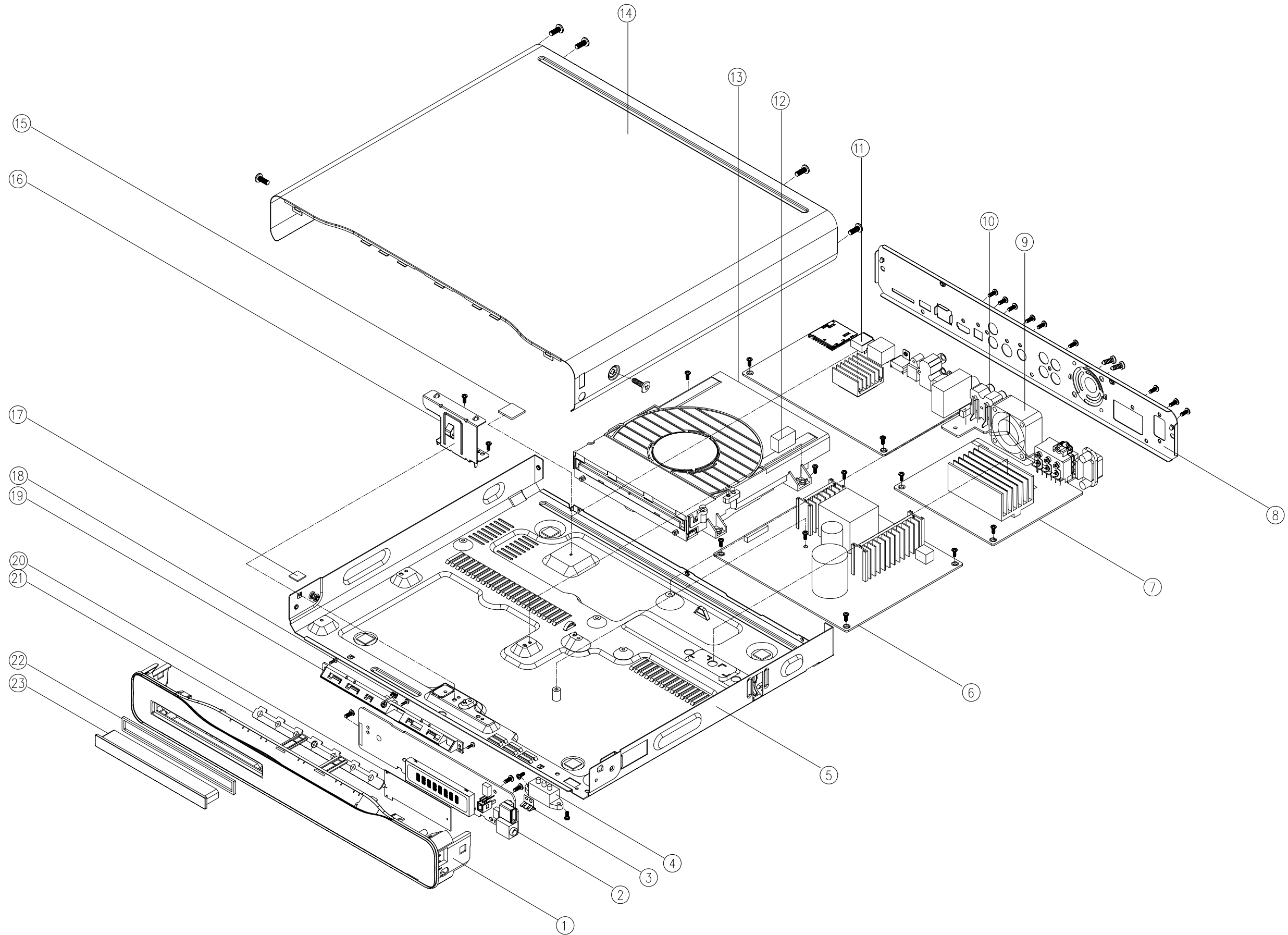
Main Board Print-layout (top side):



Main Board Print-layout (bottom side):



Exploded view for HTS3271/12:



REVISION LIST

Version 1.0

* Initial release for HTS3271/12